

ELASTOMERIC ISOLATION MOUNTS

*Product Catalog and
Selection Guide*



Introducing Elastomeric Mounts



Corry Rubber Corporation, as a worldwide preferred source of engineering expertise to solve shock, vibration and noise problems, now offers an elastomeric product line. These products complement Corry Rubber Corporation's existing elastomer product business, enabling Corry Rubber Corporation to become the source for shock and vibration attenuation.

Corry Rubber Corporation's Elastomeric Isolation Mounts Product Catalog and Selection Guide illustrates Corry Rubber Corporation's standard product segment of our elastomeric product line. Customers can choose from a wide range of products to solve their shock and vibration problems.

Corry Rubber Corporation's Elastomeric Isolation Mounts allow systems to perform more smoothly, more quietly, and with less down time, thus achieving longer life. Applications include business machines, industrial equipment, electronics and other systems which require vibration attenuation.

Corry Rubber Corporation's elastomer products encompass not only "off-the-shelf" solutions to shock, vibration and noise attenuation problems, but also offer engineered solutions to complex mechanically or environmentally induced shocks and vibrations.

Corry Rubber Corporation's Quality Assurance Program, under the auspices of International Standard QS-9000 addresses all facets of engineering, manufacturing, and administration. This program insures that reliable, quality products are designed, produced, and delivered to customer specification and satisfaction.

This Brochure and Selection Guide has been produced to offer to you, the customer, a range of products capable of solving your shock and vibration problems.

If you require assistance in the selection process or have a complex application, please contact Corry Rubber Corporation for technical assistance.

Typical Applications

- Off-Highway Equipment
- Truck and Bus
- Agricultural Equipment
- Business Machines
- Communications Equipment
- Compressors
- Electronic Components
- Flight Recorders
- Metal Forming Equipment
- Motors - Electric & Reciprocating
- Pumps
- Radar Equipment
- Shipping Containers

Standard Materials & Finishes

| | |
|------------|--|
| Elastomer: | Natural Rubber or Neoprene (Custom Elastomers Available for Special Applications) |
| Metals: | Low Carbon Steel Rust Preventative Coating |

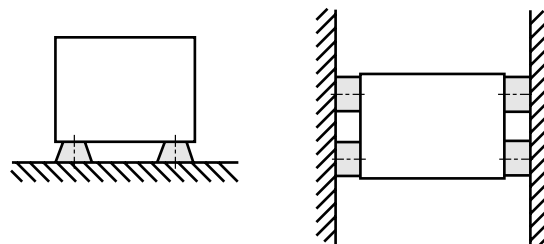
Operating Temperature Range

| | |
|-----------------|--------------------------------|
| Natural Rubber: | -40°C to 80°C (-40°F to 180°F) |
| Neoprene: | -20°C to 90°C (0°F to 200°F) |

Environmental Considerations

| | |
|-----------------|---|
| Natural Rubber: | Good for most industrial applications. Can be affected by immersion in oil. |
| Neoprene: | Resistant to oil and most solvents |

Mounting Methods



AXIAL

RADIAL

Selecting a Corry Rubber Corporation

APPLICATION WORKSHEET

| | METRIC | IMPERIAL |
|--|------------------|------------------|
| 1. Working Temperature Range: | ___ °C to ___ °C | ___ °F to ___ °F |
| 2. Input Excitation Frequency (f_i) = _____ RPM = _____ Hz 60 | | |
| 3. Calculated System Natural Frequency (f_n) for 80% isolation: $f_n = \frac{f_i}{3.0} =$ _____ Hz (target natural frequency) | _____ Hz* | _____ Hz* |
| 4. Total Load (W_T): _____ Kg x 9.8 = _____ N _____ lbs | | |
| 5. Number of Mounts (n): _____ | _____ N | _____ lbs |
| 6. Supported Load per Mount (W) = $\frac{W_T}{n} =$ _____ | | |
| *If the calculated system natural frequency is greater than the values on the data sheet graphs, use the maximum frequency shown on the graph to select an isolator. | | |

SIZING INSTRUCTIONS

STEP 1: Fill out the Application Worksheet.

STEP 2: Looking at the Mounting Diagrams along each side of the Selection Guide, select the diagram that best fits the application. If the System Natural Frequency from the Application Worksheet is higher than the values shown in the Selection Guide and the Temperature Range is acceptable, select the smallest model series that will carry the Load required for the application. Refer to the Data Sheet in the pocket on Page 4 for more information on the selected series.

If the mount that you have selected does not meet the above criteria, select another mount and repeat the selection process. If you have special requirements, send Corry Rubber Corporation your completed Application Worksheet and an Applications Engineer will contact you with a solution.

STEP 3: On the Data Sheet, consult the Load vs. System Natural Frequency Graph for the required Mounting Orientation. Locate the intersection point of the System Natural Frequency (f_n) and the Supported Load per Mount (W) calculated for the application. The Model Number represented by the line at, or directly below, this intersection point is the best choice for the application.

STEP 4: Where required, select the desired Hardware Options from the data sheets. If no hardware options are available, place "00" in the Hardware Options portion of the part number. Specify metric or imperial model. *(See Ordering information on Page 4).

***NOTE:** Stud, Machinery, and Leveling Mounts must include metric or imperial designation. Platform, Multiplane, Low Profile, Ring and Bushing and Centerbond Mounts do not require metric or imperial designation.

SAMPLE PROBLEMS

A 200 lb (890 N) pump turning at 1725 RPM is causing vibrations which are affecting the readings of nearby sensitive equipment. In order to control these vibrations, isolation mounts will be placed under the base. A 1/2" diameter bolt hole exists in the center of each of the 4 legs of the base. The isolators will be bolted to the floor. The ambient temperature around the motor is 65°F to 185°F (18°C to 85°C).

STEP 1: From the Application Worksheet, we know:

- Working Temperature Range = 65°F to 185°F (18°C to 85°C).
- System Natural Frequency for 80% isolation (f_n) = 9.6 Hz
- Supported Load per Mount (W) = 50 lbs (220 N)

STEP 2: From the Selection Guide, we conclude: A Machinery Mount can be used in this application.

- The geometry will work.
- The Lowest System Natural Frequency for Machinery Mounts is lower than the Calculated Natural Frequency for this application.
- The EMM20N Series has a mount which will carry the Required Supported Load.

STEP 3: From the EMM20N Machinery Mount Series Data Sheet, we determine:

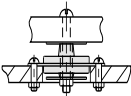
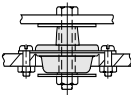
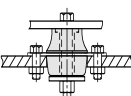
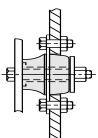
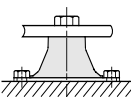
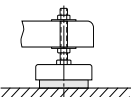
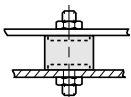
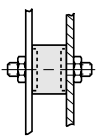
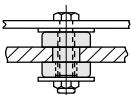
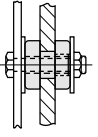
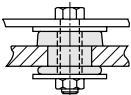
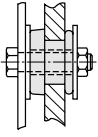
- The model number EMM20N - 0060 mount is the best selection.

STEP 4: From the Hardware Options & Ordering Information sections, we conclude:

- There is no optional hardware required for the Machinery Mounts.
- An Imperial mount specification is needed.
- Four EMM20N - 0060 - 00 - I elastomeric isolation mounts should be ordered.

Elastomeric Isolation Mount

QUICK SELECTION GUIDE

| MOUNTING ORIENTATION: AXIAL DIRECTION | | | | MODEL SIZE | MOUNTING ORIENTATION: RADIAL DIRECTION | | | |
|---|---------------------------------|----------------------|-------------|------------|--|----------------------|--|---|
| MOUNTING DIAGRAM | LOWEST SYSTEM NATURAL FREQUENCY | SUPPORTED LOAD RANGE | | | LOWEST SYSTEM NATURAL FREQUENCY | SUPPORTED LOAD RANGE | | MOUNTING DIAGRAM |
| | | N | lbs | N | | lbs | | |
| PLATFORM MOUNTS | | | | | | | | |
| EPF SERIES Elastomer: Natural Rubber • Working Temperature Range: -40°C to 80°C (-40°F to 180°F) | | | | | | | | |
|  | 12 | 3 to 55 | 0.7 to 12 | EPF10R | | | NOT RECOMMENDED | |
| | | 6 to 130 | 1.5 to 30 | EPF15R | | | | |
| | | 15 to 200 | 3.5 to 45 | EPF20R | | | | |
| MULTIPLANE MOUNTS | | | | | | | | |
| EMP SERIES Elastomer: Natural Rubber • Working Temperature Range: -40°C to 80°C (-40°F to 180°F) | | | | | | | | |
|  | 8 | 3 to 60 | 0.8 to 13 | EMP15R | 8 | | NOT RECOMMENDED | |
| LOW PROFILE MOUNTS | | | | | | | | |
| ELP SERIES Elastomer: Neoprene • Working Temperature Range: -20°C to 90°C (0°F to 200°F) | | | | | | | | |
|  | 8 | 50 to 400 | 12 to 90 | ELP30N | 8 | |  | |
| | | 70 to 1300 | 20 to 300 | ELP35N | | 70 to 1300 | | 20 to 300 |
| | | 175 to 2500 | 40 to 570 | ELP38N | | 175 to 2500 | | 40 to 570 |
| | | 250 to 4500 | 60 to 1000 | ELP43N | | 250 to 4500 | | 60 to 1000 |
| | | 350 to 6700 | 80 to 1500 | ELP50N | | 350 to 6700 | | 80 to 1500 |
| MACHINERY MOUNTS | | | | | | | | |
| EMM SERIES Elastomer: Neoprene • Working Temperature Range: -20°C to 90°C (0°F to 200°F) | | | | | | | | |
|  | 8 | 30 to 700 | 7 to 175 | EMM20N | | | NOT RECOMMENDED | |
| | | 150 to 3000 | 35 to 700 | EMM40N | | | | |
| LEVELING MOUNTS | | | | | | | | |
| ELM SERIES Elastomer: Natural Rubber • Working Temperature Range: -40°C to 80°C (-40°F to 180°F) | | | | | | | | |
|  | 8 | 65 to 3000 | 15 to 700 | ELM | | | NOT RECOMMENDED | |
| STUD MOUNTS | | | | | | | | |
| EST SERIES Elastomer: Neoprene • Working Temperature Range: -20°C to 90°C (0°F to 200°F) | | | | | | | | |
|  | 10 | 50 to 500 | 11 to 110 | EST10N | 8 | 7 to 100 | 1.5 to 22 |  |
| | | 90 to 1000 | 20 to 220 | EST13N | | 15 to 200 | 3 to 40 | |
| | | 90 to 800 | 20 to 185 | EST14N | | 15 to 200 | 3 to 45 | |
| | | 250 to 1200 | 60 to 260 | EST56N | | 25 to 200 | 6 to 40 | |
| RING AND BUSHING MOUNTS | | | | | | | | |
| ERB SERIES Elastomer: Neoprene • Working Temperature Range: -20°C to 90°C (0°F to 200°F) | | | | | | | | |
|  | 15 | 60 to 1300 | 15 to 300 | ERB13N | 30 | 60 to 300 | 12 to 70 |  |
| | | 60 to 1300 | 15 to 300 | ERB19N | 20 | 60 to 900 | 15 to 200 | |
| | | 100 to 2200 | 25 to 500 | ERB26N | 20 | 90 to 1300 | 20 to 300 | |
| | | 100 to 2700 | 30 to 600 | ERB35N | 15 | 130 to 2700 | 30 to 600 | |
| CENTERBOND MOUNTS | | | | | | | | |
| ECB SERIES Elastomer: Natural Rubber • Working Temperature Range: -40°C to 80°C (-40°F to 180°F) | | | | | | | | |
|  | 17 | 70 to 1500 | 20 to 175 | ECB11R/18R | 20 | 70 to 500 | 20 to 90 |  |
| | 15 | 275 to 2700 | 50 to 600 | ECB20R/25R | 20 | 300 to 1500 | 75 to 325 | |
| | 12 | 500 to 6700 | 110 to 1500 | ECB30R/37R | 15 | 250 to 3200 | 60 to 800 | |

EPF10R Platform Series

Imperial
Data

Load Range: 0.7 to 12 lbs

all dimensions in
inches

Features & Benefits

- Easy to Install
- Provides Uniform Stress Distribution
- Loading in the Axial Direction
- Minimum Installation Space Required

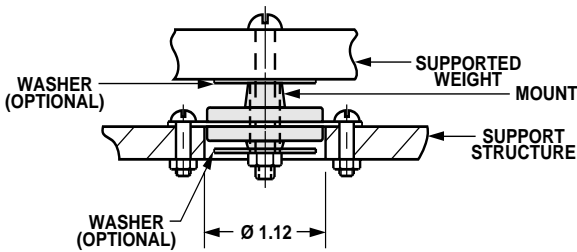
Material Information

- Elastomer: Natural Rubber
- Metals: Low Carbon Steel
Rust Preventative Coating
- Temperature Range: -40°F to 180°F

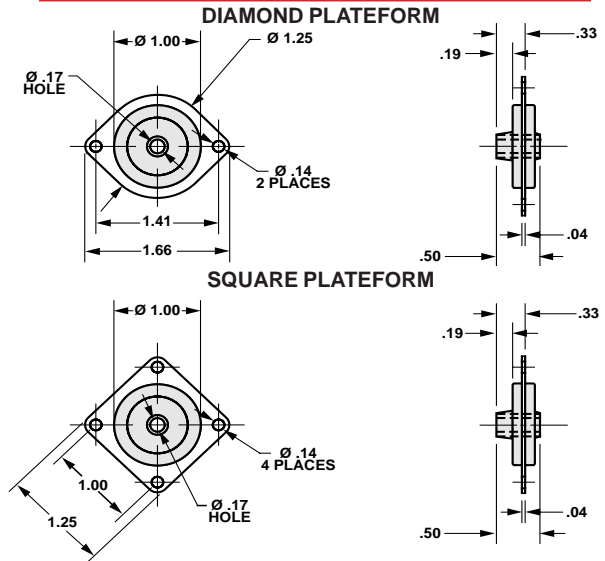
Typical Applications

- Air Conditioners
- Appliances
- Business Machines
- Electronics
- Small Generators

Mount Installation



Mount Dimensions

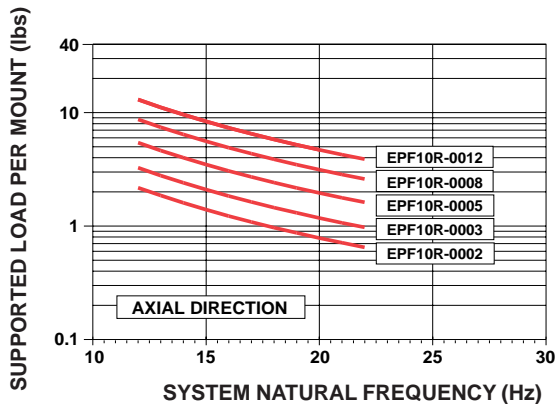


Hardware Options

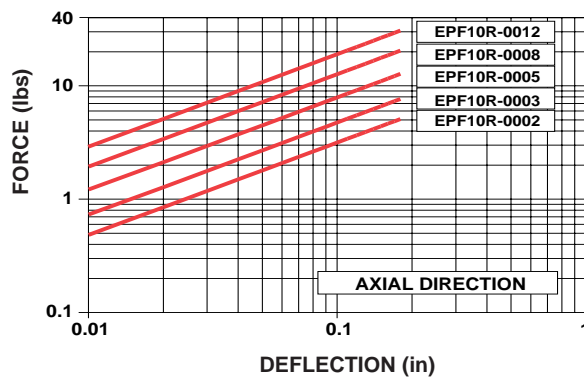
| NUMBER OF WASHERS | HARDWARE CODE | |
|-------------------|-----------------|------------------|
| | SQUARE PLATFORM | DIAMOND PLATFORM |
| 0 | 10 | 20 |
| 1 | 11 | 21 |
| 2 | 12 | 22 |

| WASHER DIMENSIONS | | |
|----------------------|-----------------------|----------------|
| INSIDE DIAMETER (in) | OUTSIDE DIAMETER (in) | THICKNESS (in) |
| .17 | .88 | .03 |

LOAD VS. SYSTEM NATURAL FREQUENCY



LOAD VS. DEFLECTION



EPF10R Platform Series

Metric
Data

Load Range: 3 to 55 N

all dimensions in
millimeters

Features & Benefits

- Easy to Install
- Provides Uniform Stress Distribution
- Loading in the Axial Direction
- Minimum Installation Space Required

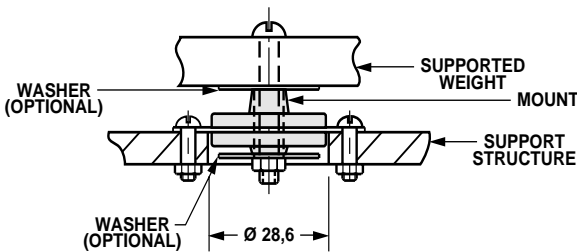
Material Information

- Elastomer: Natural Rubber
- Metals: Low Carbon Steel
Rust Preventative Coating
- Temperature Range: -40°C to 80°C

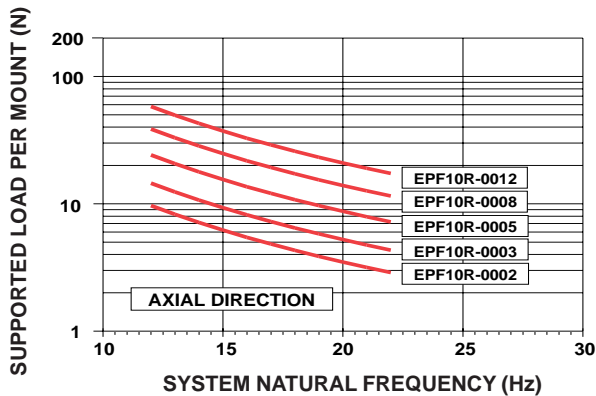
Typical Applications

- Air Conditioners
- Appliances
- Business Machines
- Electronics
- Small Generators

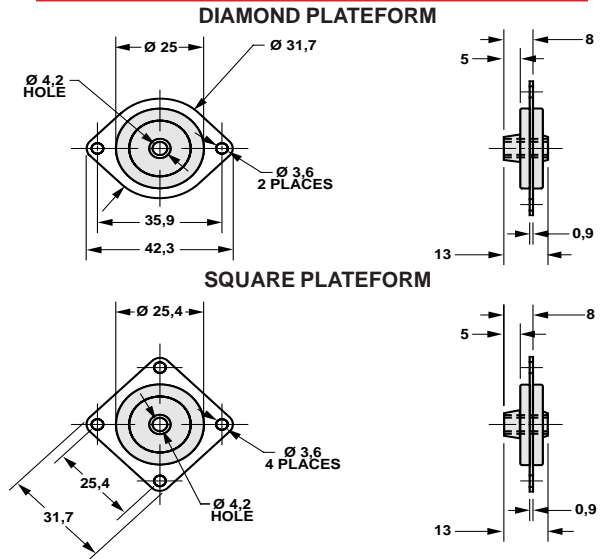
Mount Installation



LOAD VS. SYSTEM NATURAL FREQUENCY



Mount Dimensions

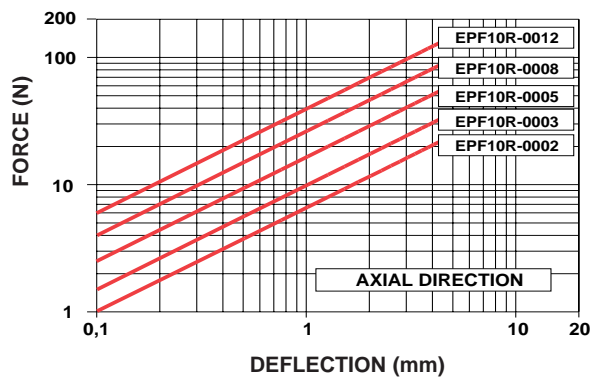


Hardware Options

| NUMBER OF WASHERS | HARDWARE CODE | |
|-------------------|-----------------|------------------|
| | SQUARE PLATFORM | DIAMOND PLATFORM |
| 0 | 10 | 20 |
| 1 | 11 | 21 |
| 2 | 12 | 22 |

| WASHER DIMENSIONS | | |
|----------------------|-----------------------|----------------|
| INSIDE DIAMETER (mm) | OUTSIDE DIAMETER (mm) | THICKNESS (mm) |
| 4,3 | 22 | 0,8 |

LOAD VS. DEFLECTION



EPF15R Platform Series

Imperial
Data

Load Range: 1.5 to 30 lbs

all dimensions in
inches

Features & Benefits

- Easy to Install
- Provides Uniform Stress Distribution
- Loading in the Axial Direction
- Minimum Installation Space Required

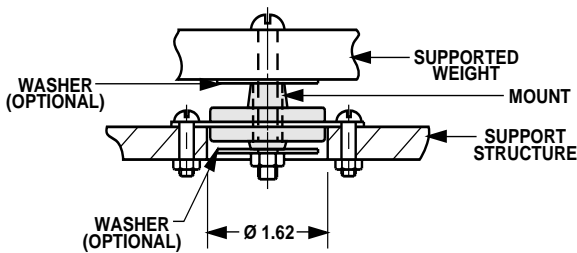
Material Information

- Elastomer: Natural Rubber
- Metals: Low Carbon Steel
Rust Preventative Coating
- Temperature Range: -40°F to 180°F

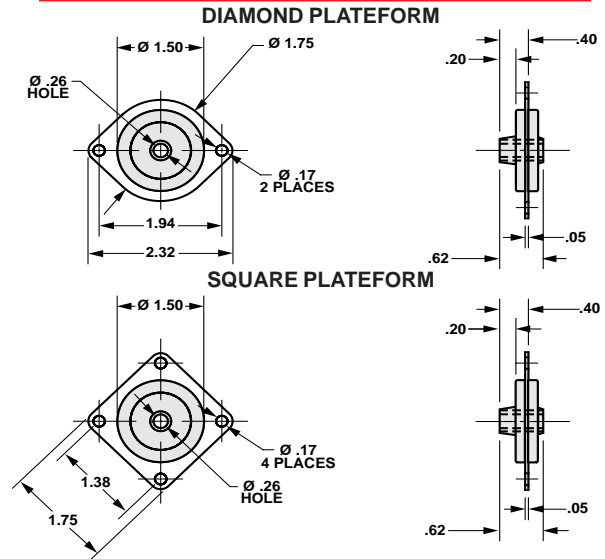
Typical Applications

- Air Conditioners
- Appliances
- Business Machines
- Electronics
- Small Generators

Mount Installation



Mount Dimensions

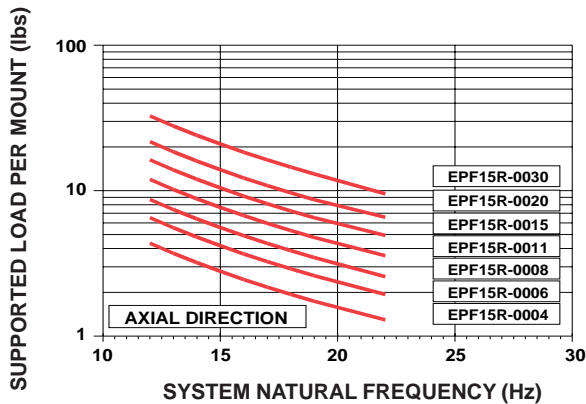


Hardware Options

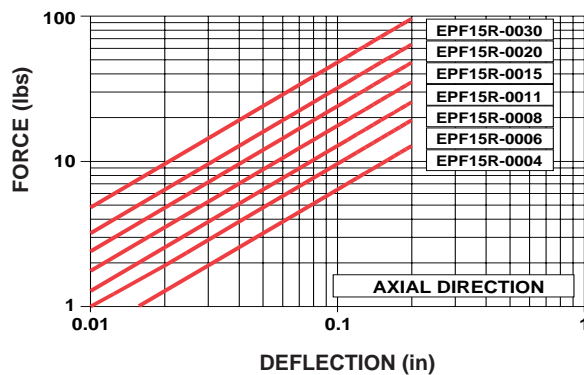
| NUMBER OF WASHERS | HARDWARE CODE | |
|-------------------|-----------------|------------------|
| | SQUARE PLATFORM | DIAMOND PLATFORM |
| 0 | 10 | 20 |
| 1 | 11 | 21 |
| 2 | 12 | 22 |

| WASHER DIMENSIONS | | |
|----------------------|-----------------------|----------------|
| INSIDE DIAMETER (in) | OUTSIDE DIAMETER (in) | THICKNESS (in) |
| .26 | 1.38 | .05 |

LOAD VS. SYSTEM NATURAL FREQUENCY



LOAD VS. DEFLECTION



EPF15R Platform Series

Metric
Data

Load Range: 6 to 130 N

all dimensions in
millimeters

Features & Benefits

- Easy to Install
- Provides Uniform Stress Distribution
- Loading in the Axial Direction
- Minimum Installation Space Required

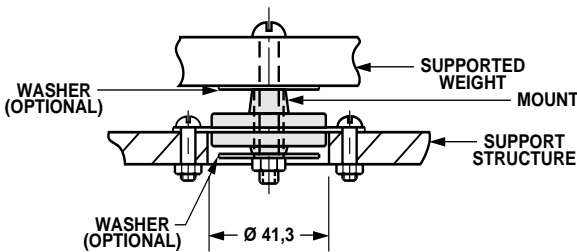
Material Information

- Elastomer: Natural Rubber
- Metals: Low Carbon Steel
Rust Preventative Coating
- Temperature Range: -40°C to 80°C

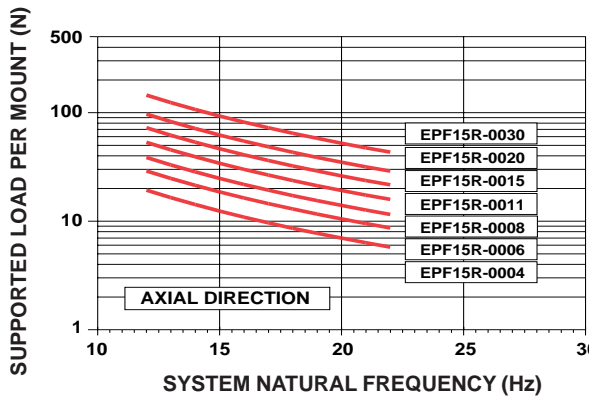
Typical Applications

- Air Conditioners
- Appliances
- Business Machines
- Electronics
- Small Generators

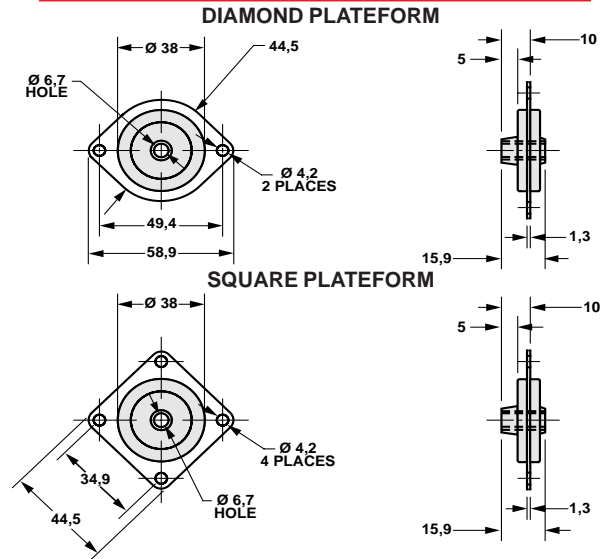
Mount Installation



LOAD VS. SYSTEM NATURAL FREQUENCY



Mount Dimensions

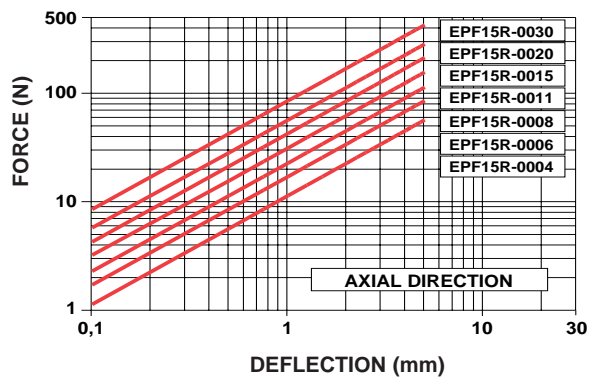


Hardware Options

| NUMBER OF WASHERS | HARDWARE CODE | |
|-------------------|-----------------|------------------|
| | SQUARE PLATFORM | DIAMOND PLATFORM |
| 0 | 10 | 20 |
| 1 | 11 | 21 |
| 2 | 12 | 22 |

| WASHER DIMENSIONS | | |
|----------------------|-----------------------|----------------|
| INSIDE DIAMETER (mm) | OUTSIDE DIAMETER (mm) | THICKNESS (mm) |
| 6,6 | 35 | 1,2 |

LOAD VS. DEFLECTION



EPF20R Platform Series

Imperial
Data

Load Range: 3.5 to 45 lbs

all dimensions in
inches

Features & Benefits

- Easy to Install
- Provides Uniform Stress Distribution
- Loading in the Axial Direction
- Minimum Installation Space Required

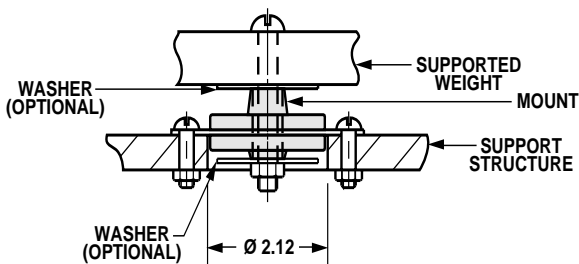
Material Information

- Elastomer: Natural Rubber
- Metals: Low Carbon Steel
Rust Preventative Coating
- Temperature Range: -40°F to 180°F

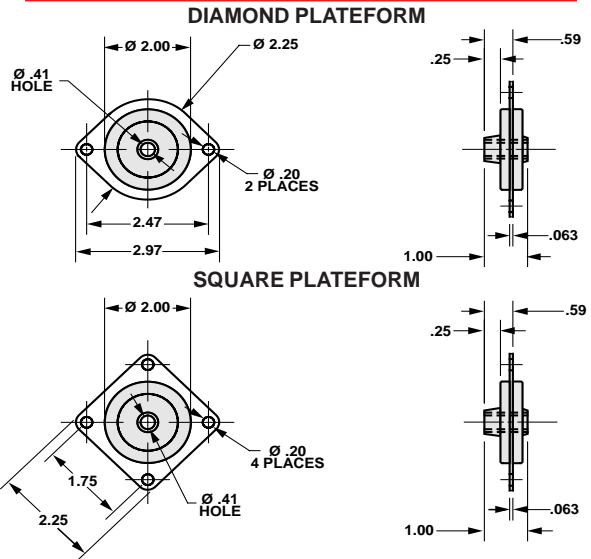
Typical Applications

- Air Conditioners
- Appliances
- Business Machines
- Electronics
- Small Generators

Mount Installation



Mount Dimensions

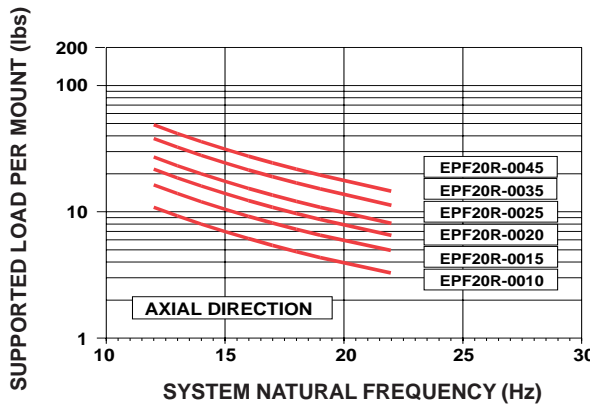


Hardware Options

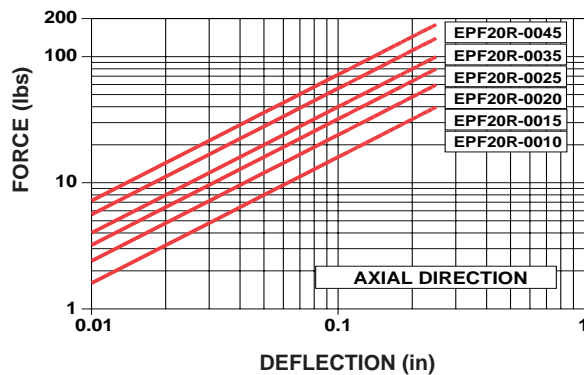
| NUMBER OF WASHERS | HARDWARE CODE | |
|-------------------|-----------------|------------------|
| | SQUARE PLATFORM | DIAMOND PLATFORM |
| 0 | 10 | 20 |
| 1 | 11 | 21 |
| 2 | 12 | 22 |

| WASHER DIMENSIONS | | |
|----------------------|-----------------------|----------------|
| INSIDE DIAMETER (in) | OUTSIDE DIAMETER (in) | THICKNESS (in) |
| .39 | 1.88 | .06 |

LOAD VS. SYSTEM NATURAL FREQUENCY



LOAD VS. DEFLECTION



EPF20R Platform Series

Metric
Data

Load Range: 15 to 200 N

all dimensions in
millimeters

Features & Benefits

- Easy to Install
- Provides Uniform Stress Distribution
- Loading in the Axial Direction
- Minimum Installation Space Required

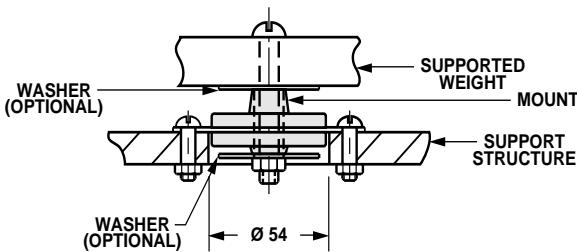
Material Information

- Elastomer: Natural Rubber
- Metals: Low Carbon Steel
Rust Preventative Coating
- Temperature Range: -40°C to 80°C

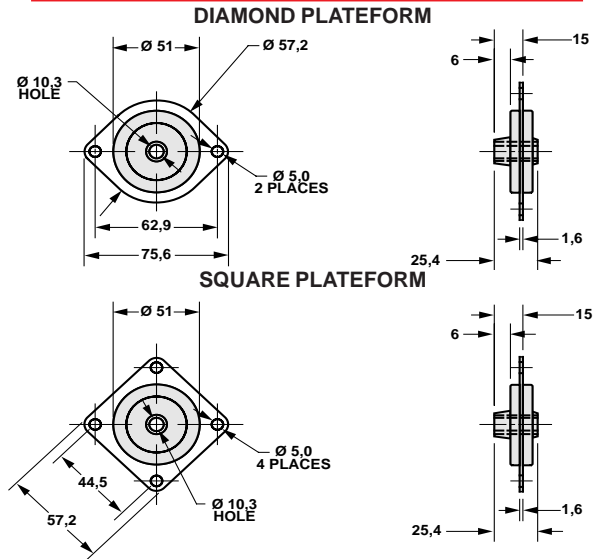
Typical Applications

- Air Conditioners
- Appliances
- Business Machines
- Electronics
- Small Generators

Mount Installation



Mount Dimensions

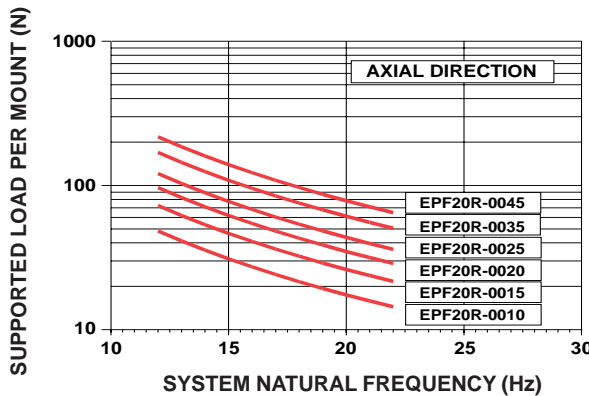


Hardware Options

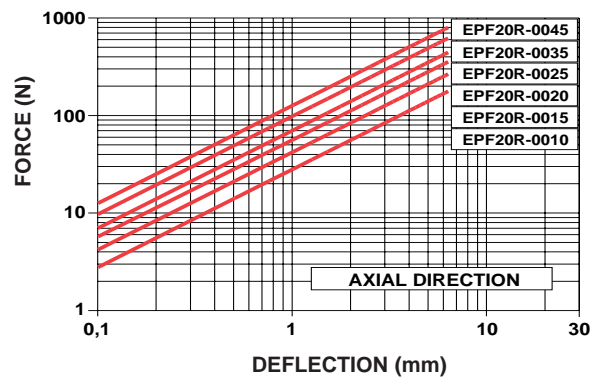
| NUMBER OF WASHERS | HARDWARE CODE | |
|-------------------|-----------------|------------------|
| | SQUARE PLATFORM | DIAMOND PLATFORM |
| 0 | 10 | 20 |
| 1 | 11 | 21 |
| 2 | 12 | 22 |

| WASHER DIMENSIONS | | |
|----------------------|-----------------------|----------------|
| INSIDE DIAMETER (mm) | OUTSIDE DIAMETER (mm) | THICKNESS (mm) |
| 9,9 | 47,6 | 1,5 |

LOAD VS. SYSTEM NATURAL FREQUENCY



LOAD VS. DEFLECTION



To place an order, call 1 800 826 2359

For technical assistance, email techsupport@corryrubber.com



EMP15R Multiplane Series

Imperial
Data

Load Range: 0.8 to 13 lbs

all dimensions in
inches

Features & Benefits

- Light Weight, Compact
- Low Natural Frequency
- Radial to Axial Stiffness Ratio is Approximately 1:1
- Reacts Equally to Vibrations in All Directions

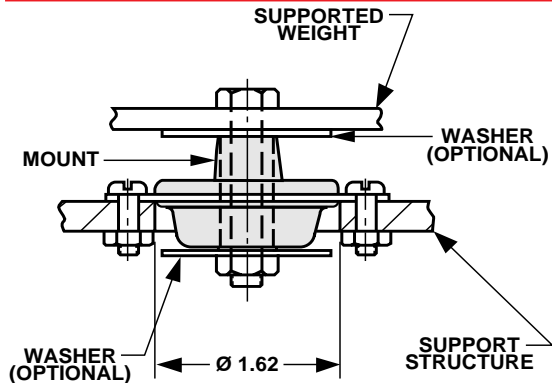
Material Information

- Elastomer: Natural Rubber
- Metals: Low Carbon Steel
Rust Preventative Coating
- Temperature Range: -40°F to 180°F

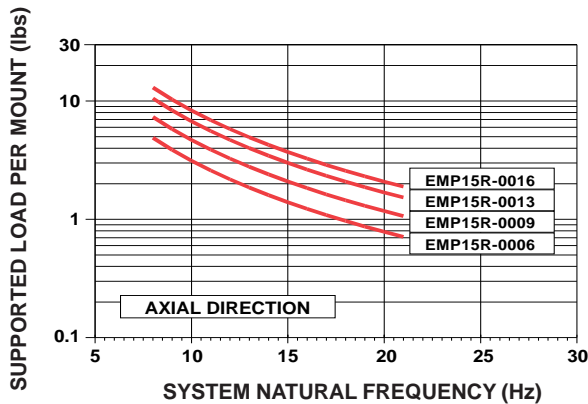
Typical Applications

- Business Machines
- Electronic Equipment
- Instruments
- Medical Equipment
- Small Pumps

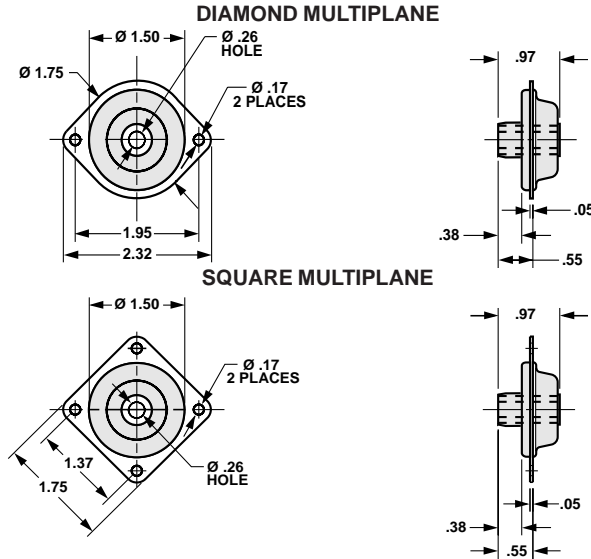
Mount Installation



LOAD VS. SYSTEM NATURAL FREQUENCY



Mount Dimensions

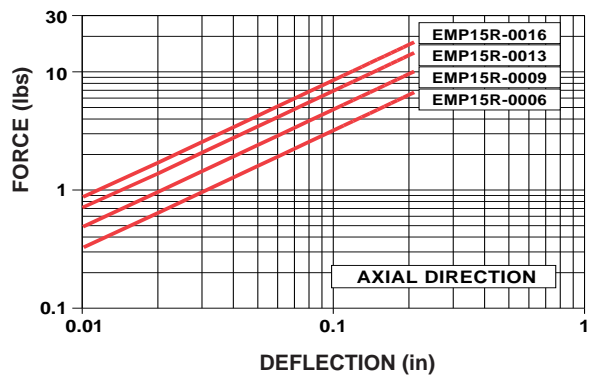


Hardware Options

| NUMBER OF WASHERS | HARDWARE CODE | |
|-------------------|-----------------|------------------|
| | SQUARE PLATFORM | DIAMOND PLATFORM |
| 0 | 10 | 20 |
| 1 | 11 | 21 |
| 2 | 12 | 22 |

| WASHER DIMENSIONS | | |
|----------------------|-----------------------|----------------|
| INSIDE DIAMETER (in) | OUTSIDE DIAMETER (in) | THICKNESS (in) |
| .26 | 1.38 | .05 |

LOAD VS. DEFLECTION



EMP15R Multiplane Series

Metric
Data

Load Range: 3 to 60 N

all dimensions in
millimeters

Features & Benefits

- Light Weight, Compact
- Low Natural Frequency
- Radial to Axial Stiffness Ratio is Approximately 1:1
- Reacts Equally to Vibrations in All Directions

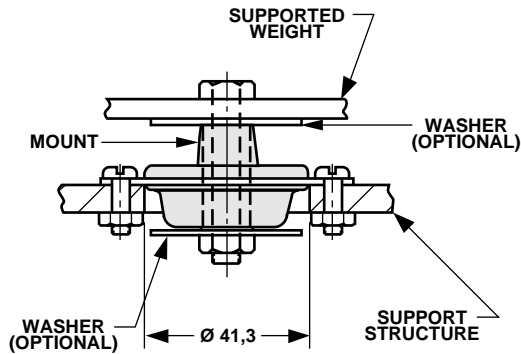
Material Information

- Elastomer: Natural Rubber
- Metals: Low Carbon Steel
Rust Preventative Coating
- Temperature Range: -40°C to 80°C

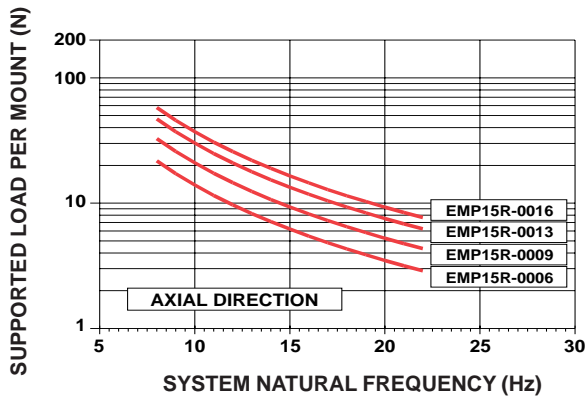
Typical Applications

- Business Machines
- Electronic Equipment
- Instruments
- Medical Equipment
- Small Pumps

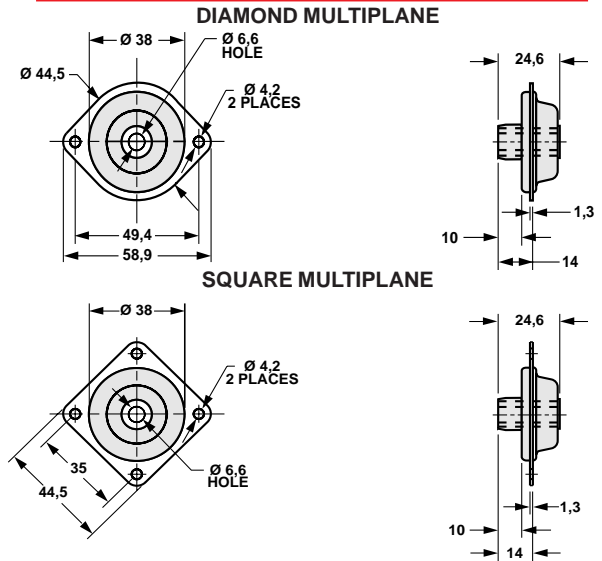
Mount Installation



LOAD VS. SYSTEM NATURAL FREQUENCY



Mount Dimensions

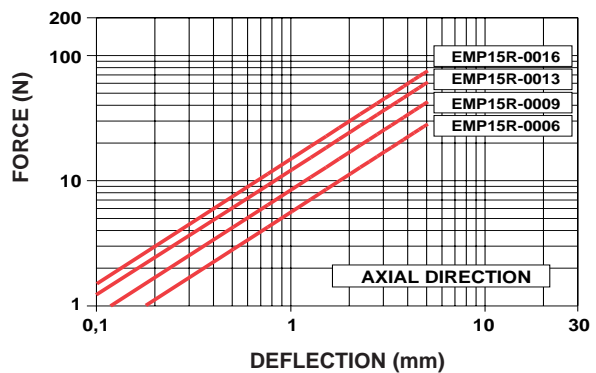


Hardware Options

| NUMBER OF WASHERS | HARDWARE CODE | |
|-------------------|-----------------|------------------|
| | SQUARE PLATFORM | DIAMOND PLATFORM |
| 0 | 10 | 20 |
| 1 | 11 | 21 |
| 2 | 12 | 22 |

| WASHER DIMENSIONS | | |
|----------------------|-----------------------|----------------|
| INSIDE DIAMETER (mm) | OUTSIDE DIAMETER (mm) | THICKNESS (mm) |
| 6,6 | 35 | 1,2 |

LOAD VS. DEFLECTION



ELP30N Low Profile Mount Series

Imperial
Data

Load Range: 12 to 90 lbs

all dimensions in
inches

Features & Benefits

- Rugged Construction
- Low Natural Frequency
- Radial to Axial Stiffness Ratio is Approximately 1:1

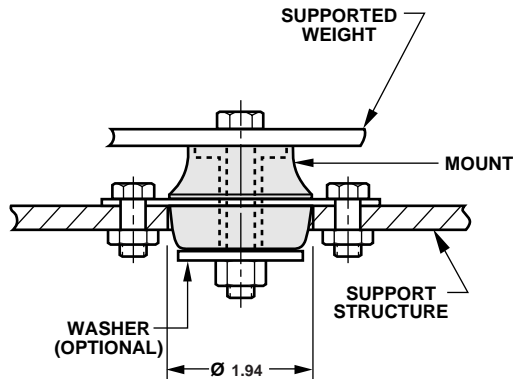
Material Information

- Elastomer: Neoprene
- Metals: Low Carbon Steel
Rust Preventative Coating
- Temperature Range: 0°F to 200°F

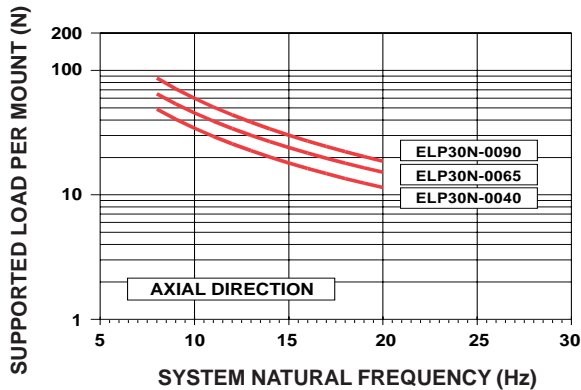
Typical Applications

- Air Conditioning Units
- Compressors
- Electronic Equipment
- Engines
- Shipboard Equipment

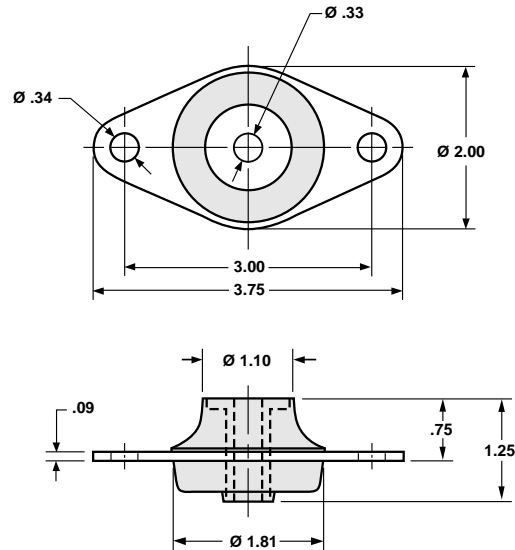
Mount Installation



LOAD VS. SYSTEM NATURAL FREQUENCY



Mount Dimensions

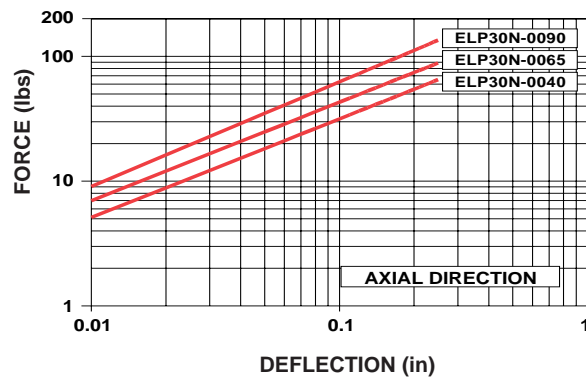


Hardware Options

| NUMBER OF WASHERS | HARDWARE CODE |
|-------------------|---------------|
| 0 | 00 |
| 1 | 01 |

| WASHER DIMENSIONS | | |
|----------------------|-----------------------|----------------|
| INSIDE DIAMETER (in) | OUTSIDE DIAMETER (in) | THICKNESS (in) |
| .32 | 1.63 | .09 |

LOAD VS. DEFLECTION



ELP30N Low Profile Mount Series

Metric
Data

Load Range: 50 to 400 N

all dimensions in
millimeters

Features & Benefits

- Rugged Construction
- Low Natural Frequency
- Radial to Axial Stiffness Ratio is Approximately 1:1

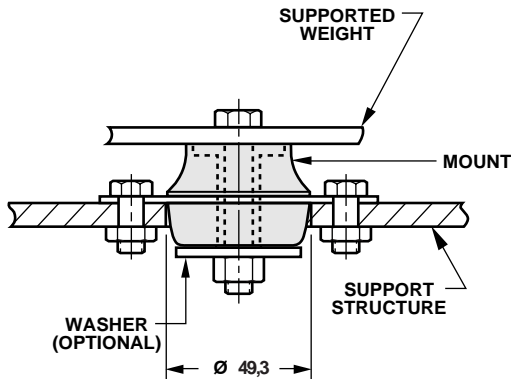
Material Information

- Elastomer: Neoprene
- Metals: Low Carbon Steel
Rust Preventative Coating
- Temperature Range: -20°C to 90°C

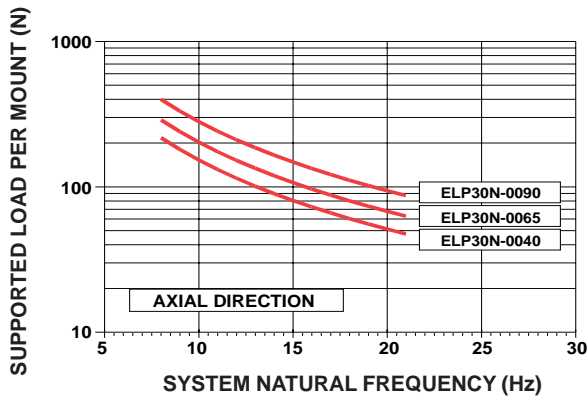
Typical Applications

- Air Conditioning Units
- Compressors
- Electronic Equipment
- Engines
- Shipboard Equipment

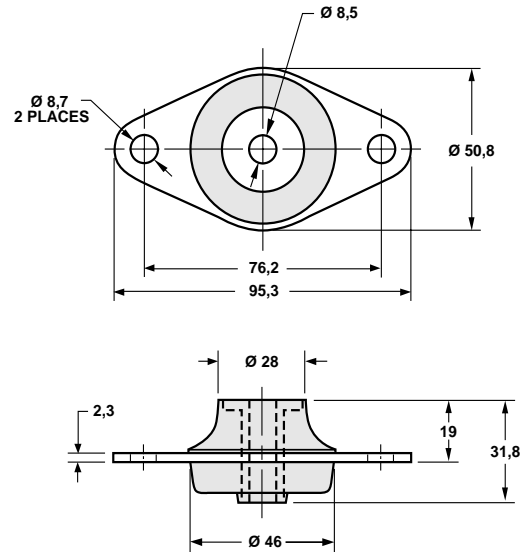
Mount Installation



LOAD VS. SYSTEM NATURAL FREQUENCY



Mount Dimensions

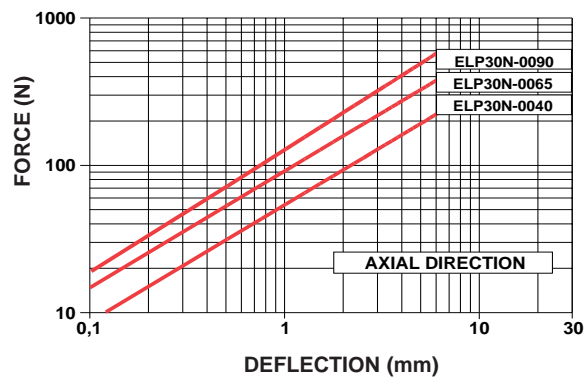


Hardware Options

| NUMBER OF WASHERS | HARDWARE CODE |
|-------------------|---------------|
| 0 | 00 |
| 1 | 01 |

| WASHER DIMENSIONS | | |
|----------------------|-----------------------|----------------|
| INSIDE DIAMETER (mm) | OUTSIDE DIAMETER (mm) | THICKNESS (mm) |
| 8 | 41 | 2 |

LOAD VS. DEFLECTION



ELP35N Low Profile Mount Series

Axial Load Range: 20 to 300 lbs

Radial Load Range: 20 to 300 lbs

Imperial
Data

all dimensions in
inches

Features & Benefits

- Rugged Construction
- Low Natural Frequency
- Loading in the Axial or Radial Direction
- Radial to Axial Stiffness Ratio is Approximately 1:1

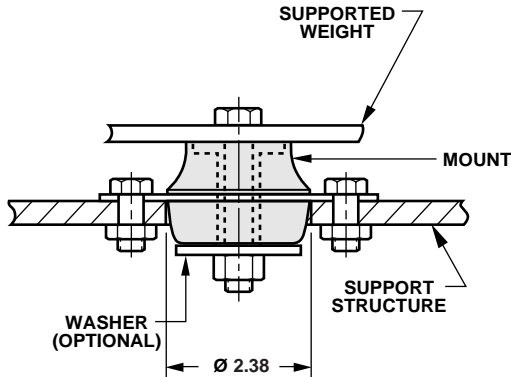
Material Information

- Elastomer: Natural Rubber
- Metals: Low Carbon Steel
Rust Preventative Coating
- Temperature Range: 0°F to 200°F

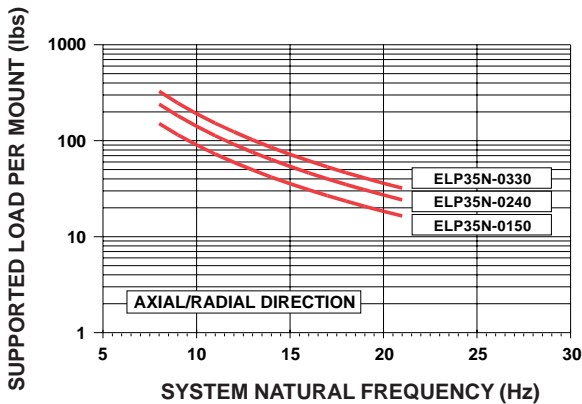
Typical Applications

- Air Conditioning Units
- Compressors
- Electronic Equipment
- Engines
- Shipboard Equipment

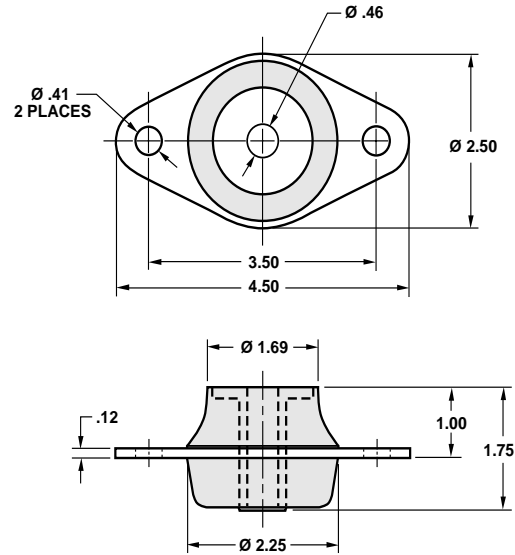
Mount Installation



LOAD VS. SYSTEM NATURAL FREQUENCY



Mount Dimensions

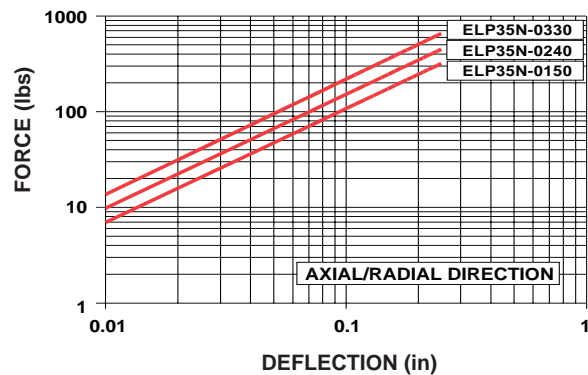


Hardware Options

| NUMBER OF WASHERS | HARDWARE CODE |
|-------------------|---------------|
| 0 | 00 |
| 1 | 01 |

| WASHER DIMENSIONS | | |
|----------------------|-----------------------|----------------|
| INSIDE DIAMETER (in) | OUTSIDE DIAMETER (in) | THICKNESS (in) |
| .45 | 2.00 | .12 |

LOAD VS. DEFLECTION



ELP35N Low Profile Mount Series

Axial Load Range: 70 to 1300 N

Radial Load Range: 70 to 1300 N

Metric
Data

all dimensions in
millimeters

Features & Benefits

- Easy to Install
- Provides Uniform Stress Distribution
- Loading in the Axial Direction
- Minimum Installation Space Required

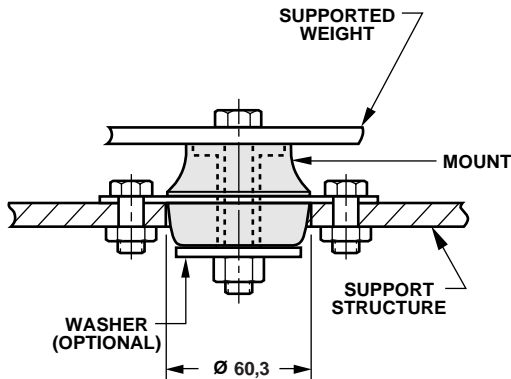
Material Information

- Elastomer: Neoprene
- Metals: Low Carbon Steel
Rust Preventative Coating
- Temperature Range: -20°C to 90°C

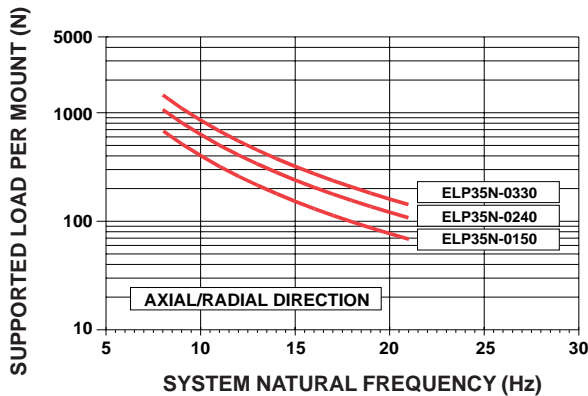
Typical Applications

- Air Conditioning Units
- Compressors
- Electronic Equipment
- Engines
- Shipboard Equipment

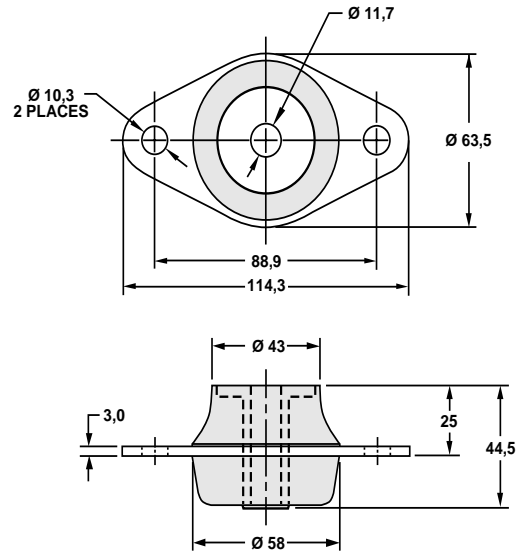
Mount Installation



LOAD VS. SYSTEM NATURAL FREQUENCY



Mount Dimensions

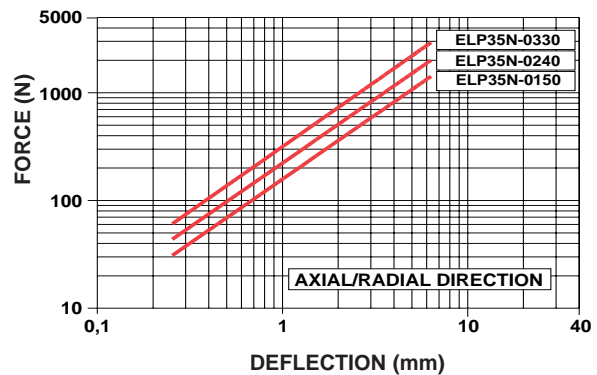


Hardware Options

| NUMBER OF WASHERS | HARDWARE CODE |
|-------------------|---------------|
| 0 | 00 |
| 1 | 01 |

| WASHER DIMENSIONS | | |
|----------------------|-----------------------|----------------|
| INSIDE DIAMETER (mm) | OUTSIDE DIAMETER (mm) | THICKNESS (mm) |
| 11 | 51 | 3 |

LOAD VS. DEFLECTION



ELP38N Low Profile Mount Series

Imperial
Data

Axial Load Range: 40 to 570 lbs
Radial Load Range: 40 to 570 lbs

all dimensions in
inches

Features & Benefits

- Rugged Construction
- Low Natural Frequency
- Loading in the Axial or Radial Direction
- Radial to Axial Stiffness Ratio is Approximately 1:1

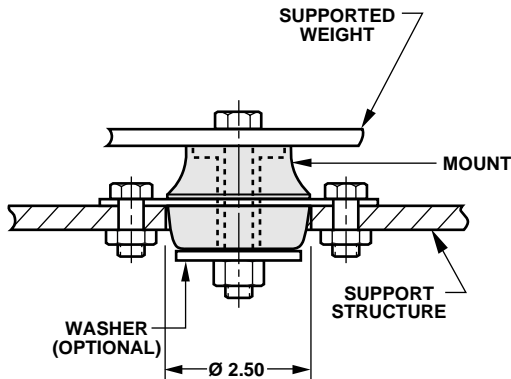
Material Information

- Elastomer: Neoprene
- Metals: Low Carbon Steel
Rust Preventative Coating
- Temperature Range: 0°F to 200°F

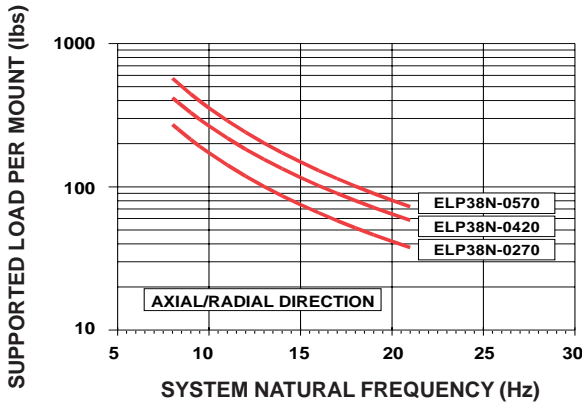
Typical Applications

- Air Conditioning Units
- Compressors
- Electronic Equipment
- Engines
- Shipboard Equipment

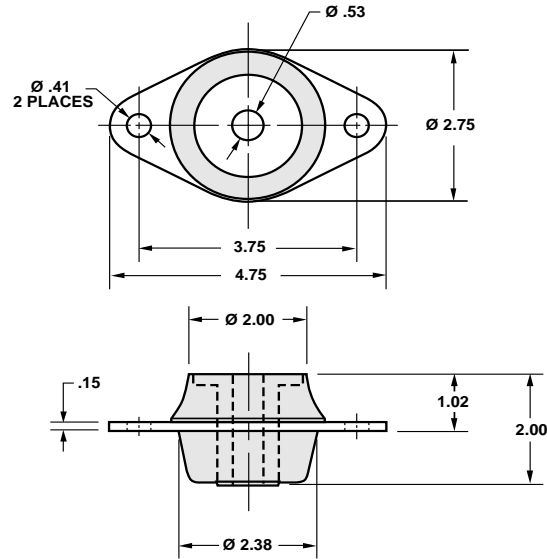
Mount Installation



LOAD VS. SYSTEM NATURAL FREQUENCY



Mount Dimensions

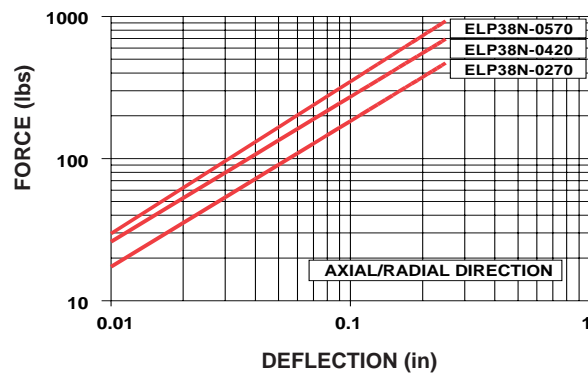


Hardware Options

| NUMBER OF WASHERS | HARDWARE CODE |
|-------------------|---------------|
| 0 | 00 |
| 1 | 01 |

| WASHER DIMENSIONS | | |
|----------------------|-----------------------|----------------|
| INSIDE DIAMETER (in) | OUTSIDE DIAMETER (in) | THICKNESS (in) |
| .52 | 2.00 | .13 |

LOAD VS. DEFLECTION



ELP38N Low Profile Mount Series

Axial Load Range: 175 to 2500 N

Radial Load Range: 175 to 2500 N

Metric
Data

all dimensions in
millimeters

Features & Benefits

- Rugged Construction
- Low Natural Frequency
- Loading in the Axial or Radial Direction
- Radial to Axial Stiffness Ratio is Approximately 1:1

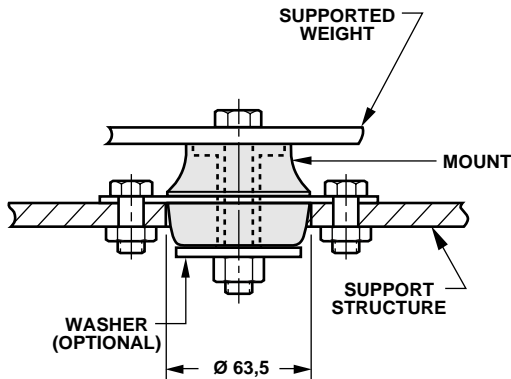
Material Information

- Elastomer: Neoprene
- Metals: Low Carbon Steel
Rust Preventative Coating
- Temperature Range: -20°C to 90°C

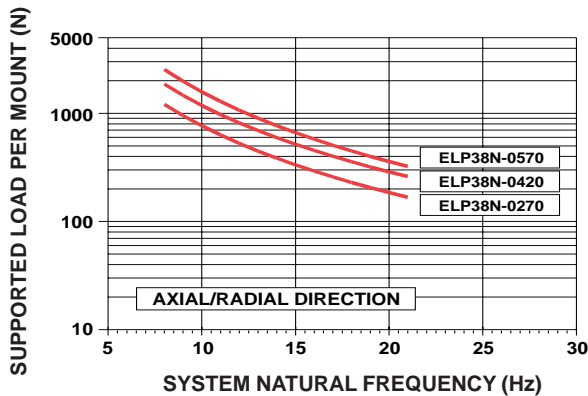
Typical Applications

- Air Conditioning Units
- Compressors
- Electronic Equipment
- Engines
- Shipboard Equipment

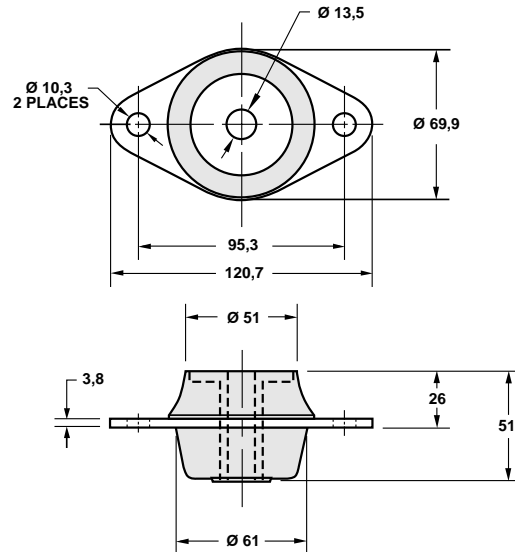
Mount Installation



LOAD VS. SYSTEM NATURAL FREQUENCY



Mount Dimensions

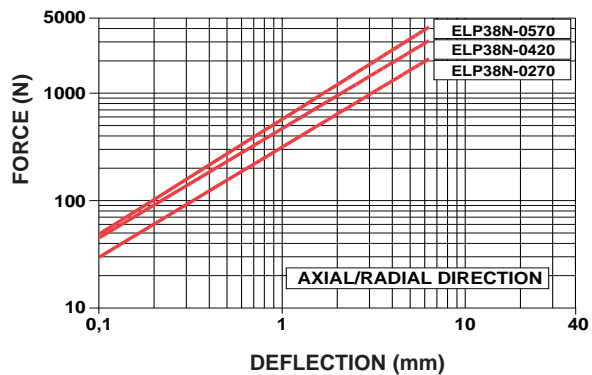


Hardware Options

| NUMBER OF WASHERS | HARDWARE CODE |
|-------------------|---------------|
| 0 | 00 |
| 1 | 01 |

| WASHER DIMENSIONS | | |
|----------------------|-----------------------|----------------|
| INSIDE DIAMETER (mm) | OUTSIDE DIAMETER (mm) | THICKNESS (mm) |
| 13 | 51 | 3 |

LOAD VS. DEFLECTION



ELP43N Low Profile Mount Series

Imperial
Data

Axial Load Range: 60 to 100 lbs
Radial Load Range: 60 to 100 lbs

all dimensions in
inches

Features & Benefits

- Rugged Construction
- Low Natural Frequency
- Loading in the Axial or Radial Direction
- Radial to Axial Stiffness Ratio is Approximately 1:1

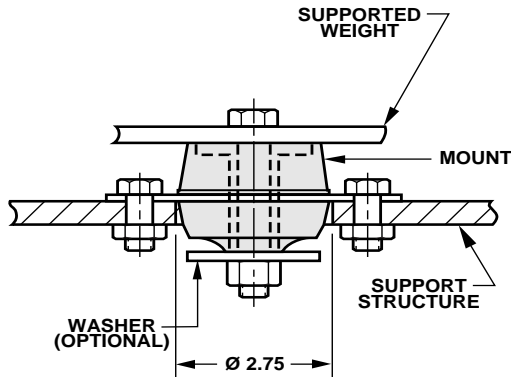
Material Information

- Elastomer: Neoprene
- Metals: Low Carbon Steel
Rust Preventative Coating
- Temperature Range: 0°F to 200°F

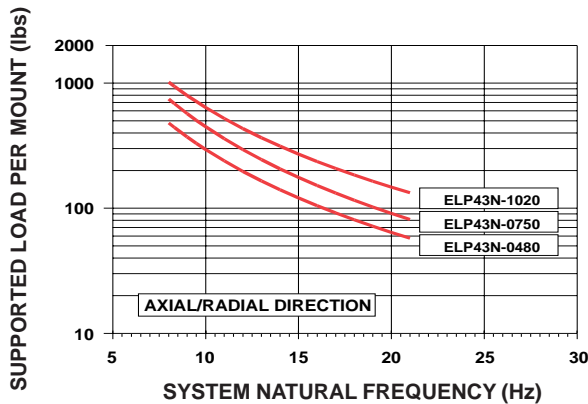
Typical Applications

- Air Conditioning Units
- Compressors
- Electronic Equipment
- Engines
- Shipboard Equipment

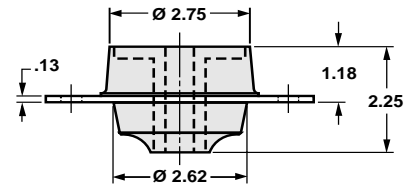
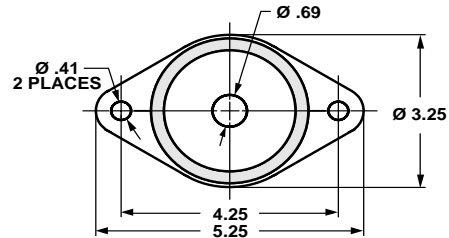
Mount Installation



LOAD VS. SYSTEM NATURAL FREQUENCY



Mount Dimensions

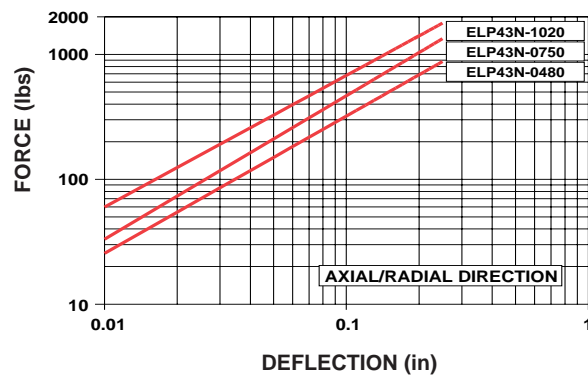


Hardware Options

| NUMBER OF WASHERS | HARDWARE CODE |
|-------------------|---------------|
| 0 | 00 |
| 1 | 01 |

| WASHER DIMENSIONS | | |
|----------------------|-----------------------|----------------|
| INSIDE DIAMETER (in) | OUTSIDE DIAMETER (in) | THICKNESS (in) |
| .64 | 2.25 | .15 |

LOAD VS. DEFLECTION



ELP43N Low Profile Mount Series

Axial Load Range: 250 to 4500 N

Radial Load Range: 250 to 4500 N

Metric
Data

all dimensions in
millimeters

Features & Benefits

- Rugged Construction
- Low Natural Frequency
- Loading in the Axial or Radial Direction
- Radial to Axial Stiffness Ratio is Approximately 1:1

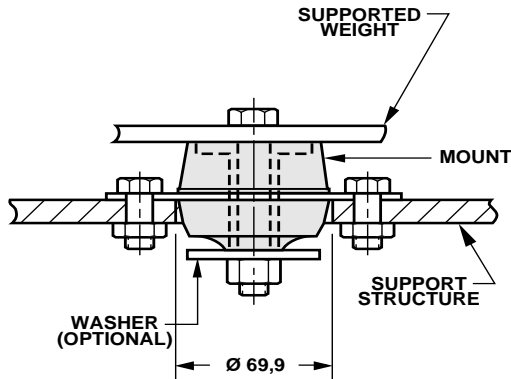
Material Information

- Elastomer: Neoprene
- Metals: Low Carbon Steel
Rust Preventative Coating
- Temperature Range: -20°C to 90°C

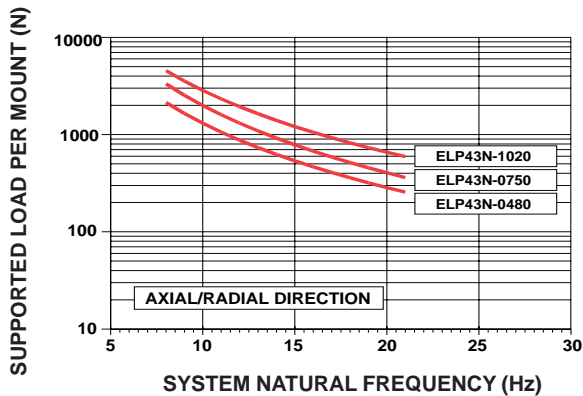
Typical Applications

- Air Conditioning Units
- Compressors
- Electronic Equipment
- Engines
- Shipboard Equipment

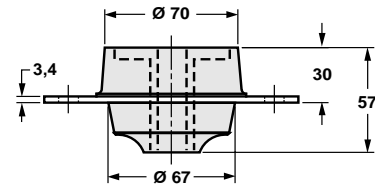
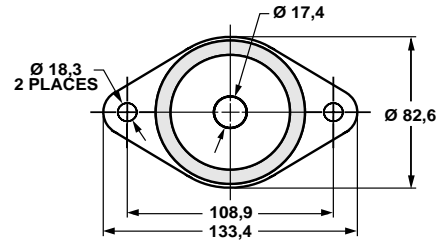
Mount Installation



LOAD VS. SYSTEM NATURAL FREQUENCY



Mount Dimensions

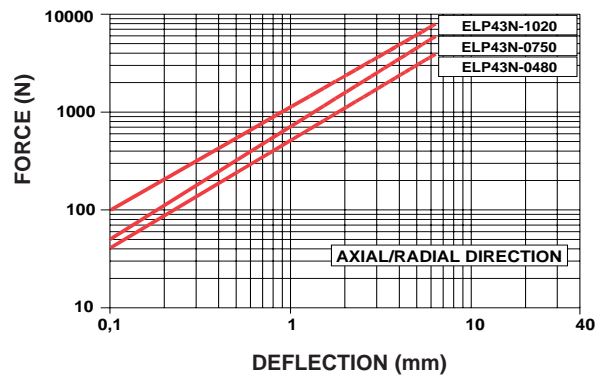


Hardware Options

| NUMBER OF WASHERS | HARDWARE CODE |
|-------------------|---------------|
| 0 | 00 |
| 1 | 01 |

| WASHER DIMENSIONS | | |
|----------------------|-----------------------|----------------|
| INSIDE DIAMETER (mm) | OUTSIDE DIAMETER (mm) | THICKNESS (mm) |
| 16 | 57 | 4 |

LOAD VS. DEFLECTION



ELP50N Low Profile Mount Series

Imperial
Data

Axial Load Range: 80 to 1500 lbs
Radial Load Range: 80 to 1500 lbs

all dimensions in
inches

Features & Benefits

- Rugged Construction
- Low Natural Frequency
- Loading in the Axial or Radial Direction
- Radial to Axial Stiffness Ratio is Approximately 1:1

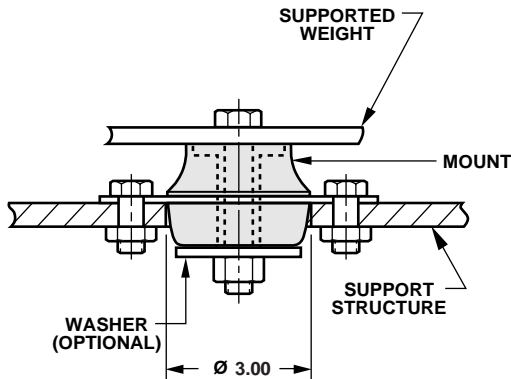
Material Information

- Elastomer: Neoprene
- Metals: Low Carbon Steel
Rust Preventative Coating
- Temperature Range: 0°F to 200°F

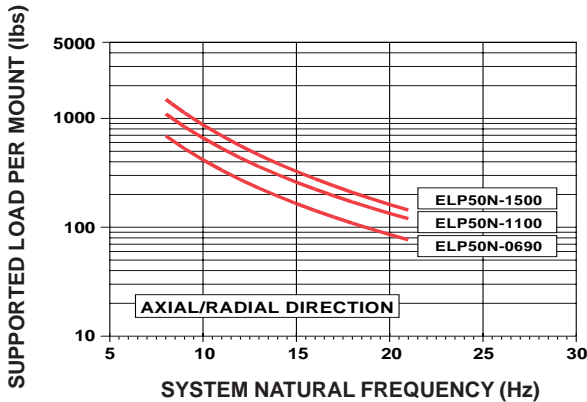
Typical Applications

- Air Conditioning Units
- Compressors
- Electronic Equipment
- Engines
- Shipboard Equipment

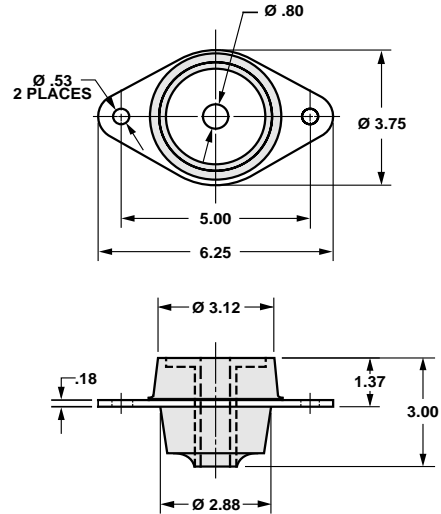
Mount Installation



LOAD VS. SYSTEM NATURAL FREQUENCY



Mount Dimensions

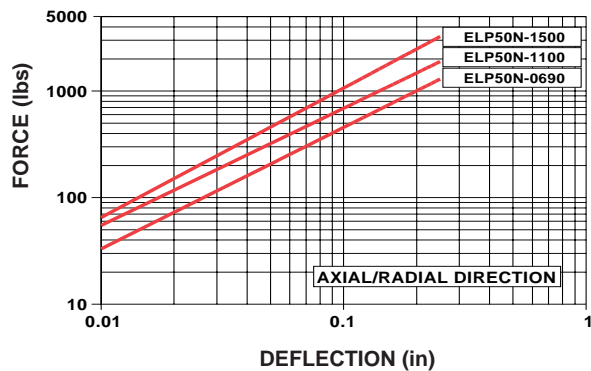


Hardware Options

| NUMBER OF WASHERS | HARDWARE CODE |
|-------------------|---------------|
| 0 | 00 |
| 1 | 01 |

| WASHER DIMENSIONS | | |
|----------------------|-----------------------|----------------|
| INSIDE DIAMETER (in) | OUTSIDE DIAMETER (in) | THICKNESS (in) |
| .76 | 2.50 | .19 |

LOAD VS. DEFLECTION



ELP50N Low Profile Mount Series

Axial Load Range: 350 to 6700 N

Radial Load Range: 350 to 6700 N

Metric
Data

all dimensions in
millimeters

Features & Benefits

- Rugged Construction
- Low Natural Frequency
- Loading in the Axial or Radial Direction
- Radial to Axial Stiffness Ratio is Approximately 1:1

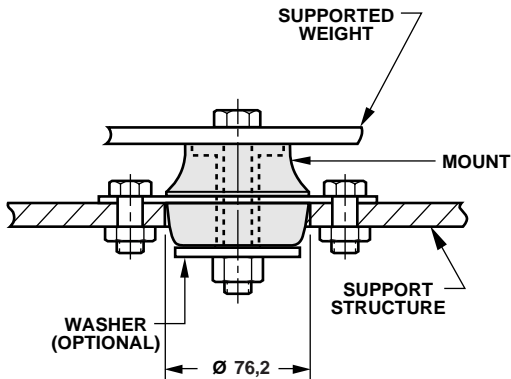
Material Information

- Elastomer: Neoprene
- Metals: Low Carbon Steel
Rust Preventative Coating
- Temperature Range: -20°C to 90°C

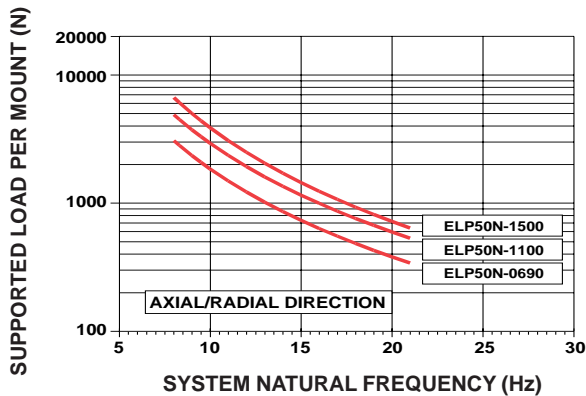
Typical Applications

- Air Conditioning Units
- Compressors
- Electronic Equipment
- Engines
- Shipboard Equipment

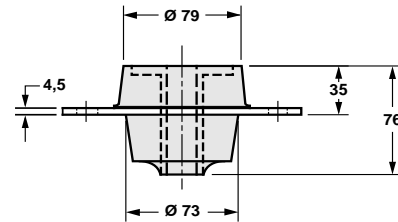
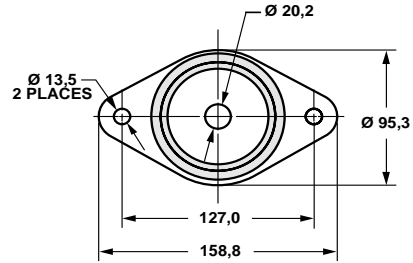
Mount Installation



LOAD VS. SYSTEM NATURAL FREQUENCY



Mount Dimensions

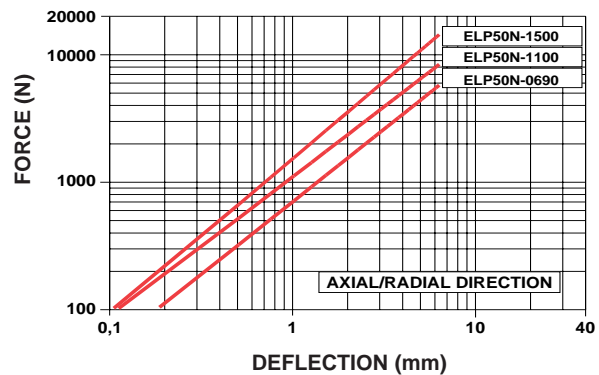


Hardware Options

| NUMBER OF WASHERS | HARDWARE CODE |
|-------------------|---------------|
| 0 | 00 |
| 1 | 01 |

| WASHER DIMENSIONS | | |
|----------------------|-----------------------|----------------|
| INSIDE DIAMETER (mm) | OUTSIDE DIAMETER (mm) | THICKNESS (mm) |
| 19 | 64 | 5 |

LOAD VS. DEFLECTION



EMM20N Machinery Mount Series

Imperial
Data

Axial Load Range: 7 to 175 lbs

all dimensions in
inches

Features & Benefits

- Low Profile
- Prevents Transmission of Noise and Vibration
- Loading in the Axial Direction

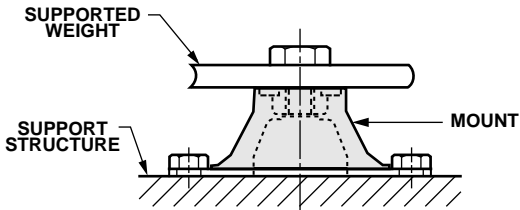
Material Information

- Elastomer: Neoprene
- Metals: Low Carbon Steel
Rust Preventative Coating
- Temperature Range: 0°F to 200°F

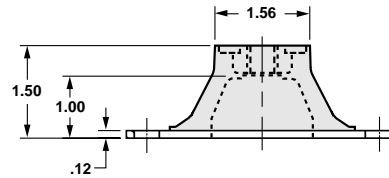
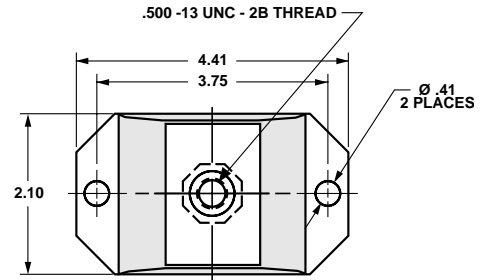
Typical Applications

- Blowers
- Centrifuges
- Gear Boxes
- Motors
- Pumps

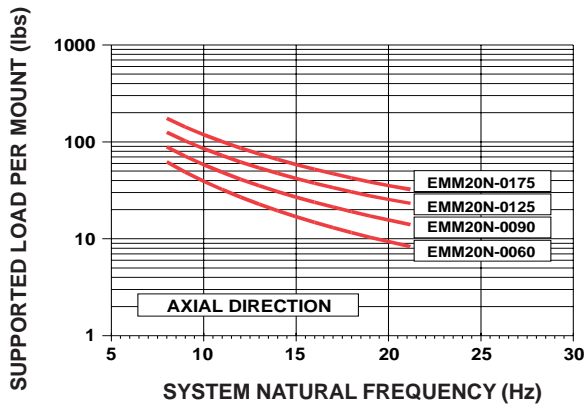
Mount Installation



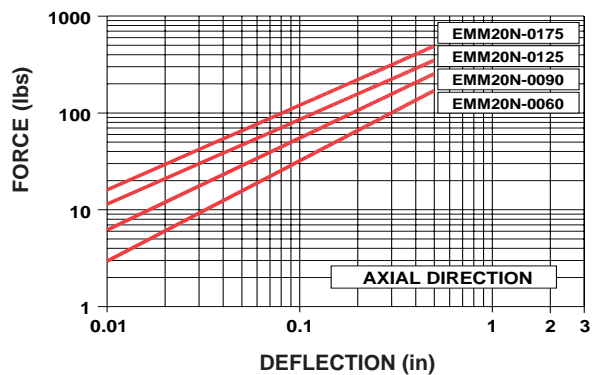
Mount Dimensions



LOAD VS. SYSTEM NATURAL FREQUENCY



LOAD VS. DEFLECTION



EMM20N Machinery Mount Series

Metric
Data

Axial Load Range: 30 to 700 N

all dimensions in
millimeters

Features & Benefits

- Low Profile
- Prevents Transmission of Noise and Vibration
- Loading in the Axial Direction

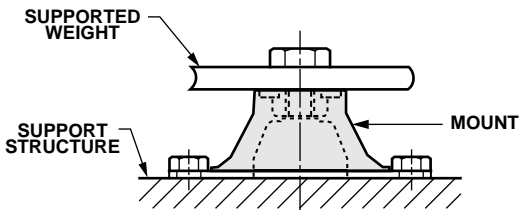
Material Information

- Elastomer: Neoprene
- Metals: Low Carbon Steel
Rust Preventative Coating
- Temperature Range: -20°C to 90°C

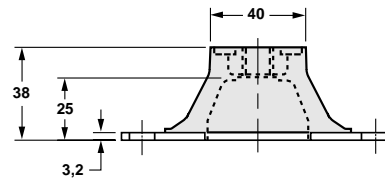
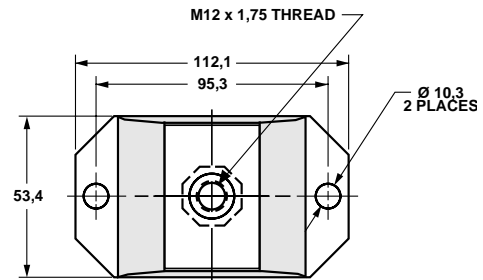
Typical Applications

- Blowers
- Centrifuges
- Gear Boxes
- Motors
- Pumps

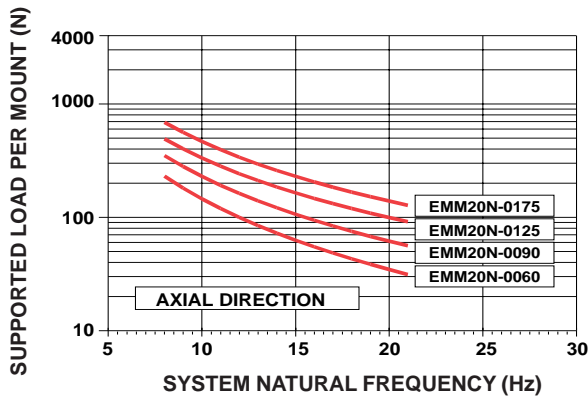
Mount Installation



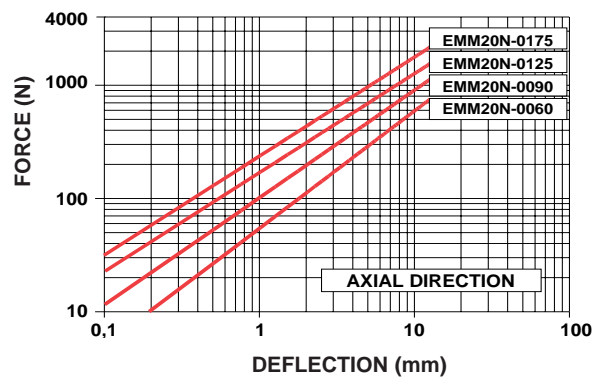
Mount Dimensions



LOAD VS. SYSTEM NATURAL FREQUENCY



LOAD VS. DEFLECTION



EMM40N Machinery Mount Series

Imperial
Data

Axial Load Range: 35 to 700 lbs

all dimensions in
inches

Features & Benefits

- Low Profile
- Prevents Transmission of Noise and Vibration
- Loading in the Axial Direction

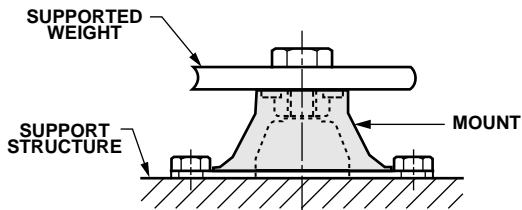
Material Information

- Elastomer: Neoprene
- Metals: Low Carbon Steel
Rust Preventative Coating
- Temperature Range: 0°F to 200°F

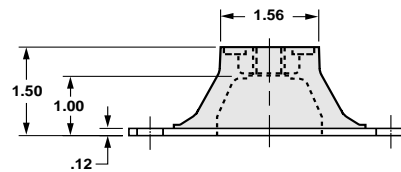
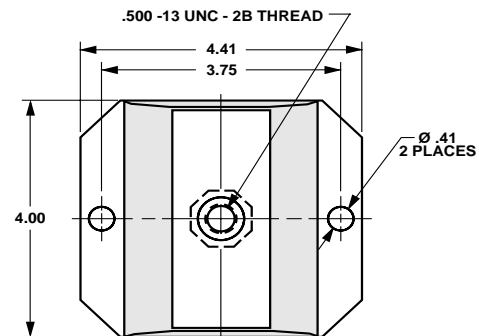
Typical Applications

- Blowers
- Centrifuges
- Gear Boxes
- Motors
- Pumps

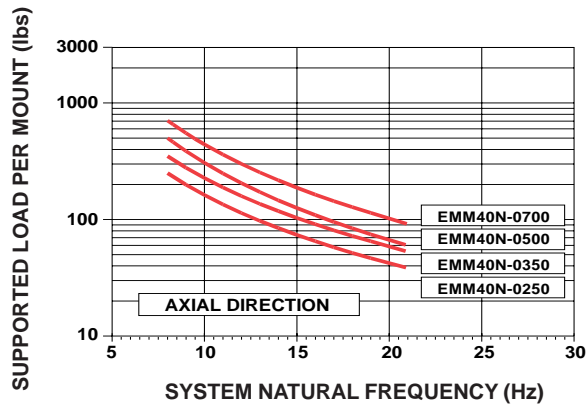
Mount Installation



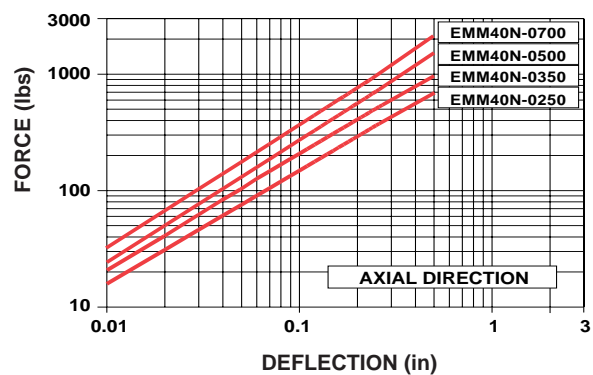
Mount Dimensions



LOAD VS. SYSTEM NATURAL FREQUENCY



LOAD VS. DEFLECTION



EMM40N Machinery Mount Series

Metric
Data

Axial Load Range: 150 to 3000 N

all dimensions in
millimeters

Features & Benefits

- Low Profile
- Prevents Transmission of Noise and Vibration
- Loading in the Axial Direction

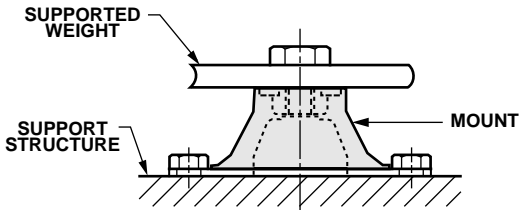
Material Information

- Elastomer: Neoprene
- Metals: Low Carbon Steel
Rust Preventative Coating
- Temperature Range: -20°C to 90°C

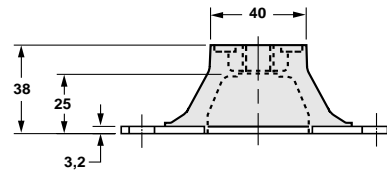
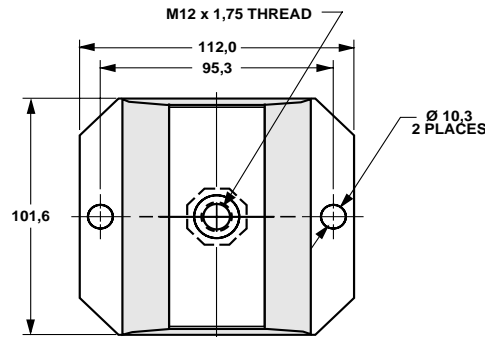
Typical Applications

- Blowers
- Centrifuges
- Gear Boxes
- Motors
- Pumps

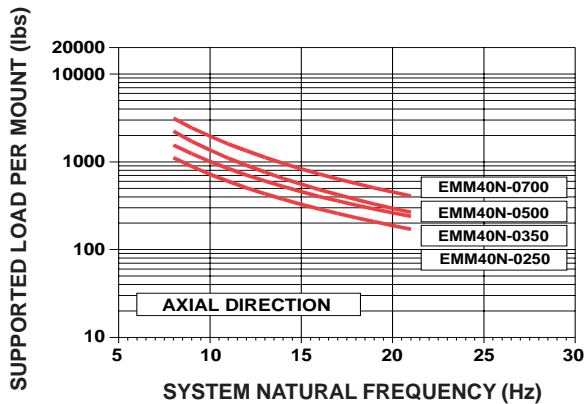
Mount Installation



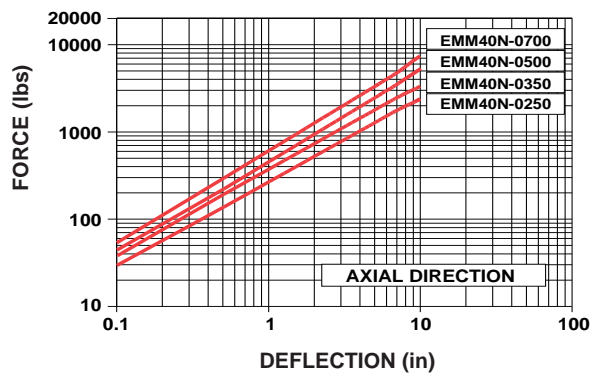
Mount Dimensions



LOAD VS. SYSTEM NATURAL FREQUENCY



LOAD VS. DEFLECTION



ELM Leveling Mount Series

Imperial
Data

Load Range: 15 to 700 lbs

all dimensions in
inches

Features & Benefits

- Easy to Install
- Simple Construction
- Loading in the Axial Direction

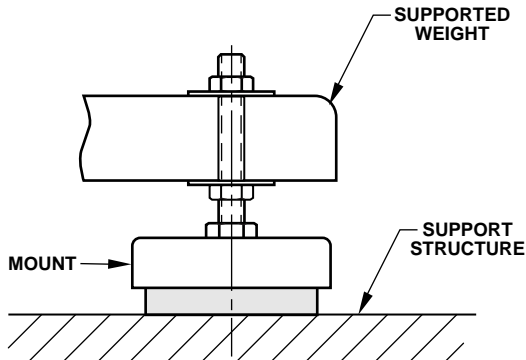
Material Information

- Elastomer: Natural Rubber
- Metals: Low Carbon Steel
Zinc Plated
- Temperature Range: -40°F to 180°F

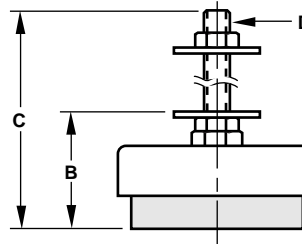
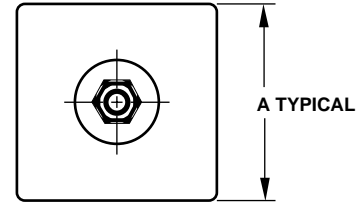
Typical Applications

- Large Shipping Containers
- Machine Leveling
- Punch Press Mounts
- Shearing Machine Mounts

Mount Installation



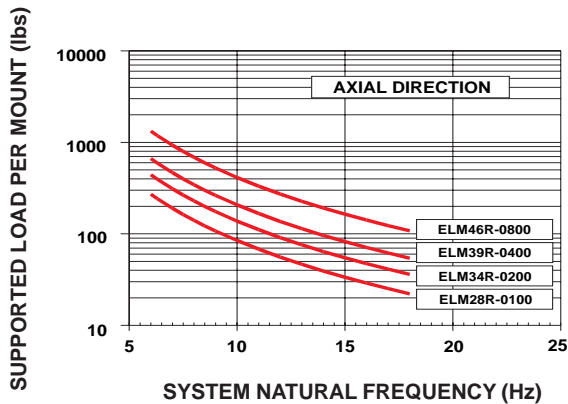
Mount Dimensions



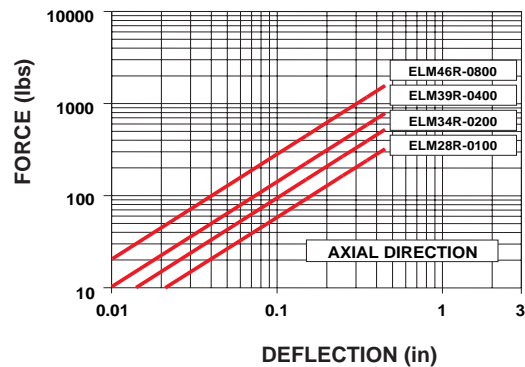
Mount Dimensions

| MOUNT PART NUMBER | A (in) | B (in) | C (in) | D (in) |
|-------------------|--------|--------|--------|--------|
| ELM28R-0100 | 2.32 | 2.29 | 5.00 | 3/8-16 |
| ELM34R-0200 | 2.87 | 2.29 | 5.00 | 3/8-16 |
| ELM39R-0400 | 3.30 | 2.47 | 6.00 | 1/2-13 |
| ELM46R-0800 | 4.09 | 2.47 | 6.00 | 1/2-13 |

LOAD VS. SYSTEM NATURAL FREQUENCY



LOAD VS. DEFLECTION



ELM Leveling Mount Series

Metric
Data

Load Range: 65 to 3000 N

all dimensions in
millimeters

Features & Benefits

- Easy to Install
- Simple Construction
- Loading in the Axial Direction

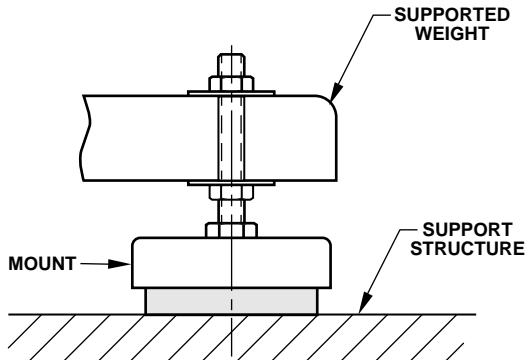
Material Information

- Elastomer: Natural Rubber
- Metals: Low Carbon Steel
Zinc Plated
- Temperature Range: -40°C to 80°C

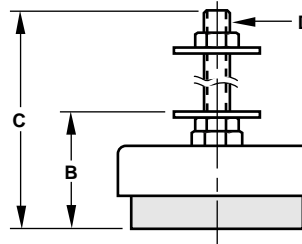
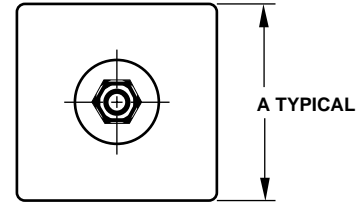
Typical Applications

- Machine Leveling
- Large Shipping Containers
- Punch Press Mounts
- Shearing Machine Mounts

Mount Installation



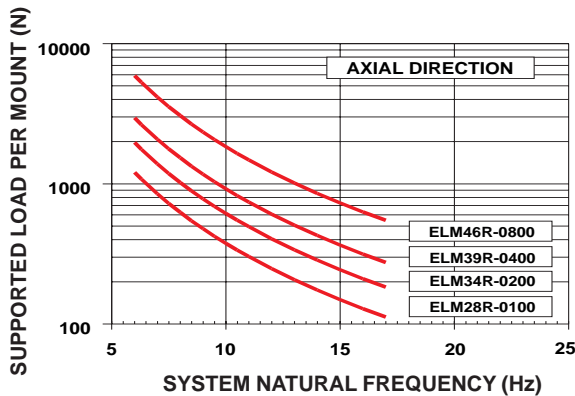
Mount Dimensions



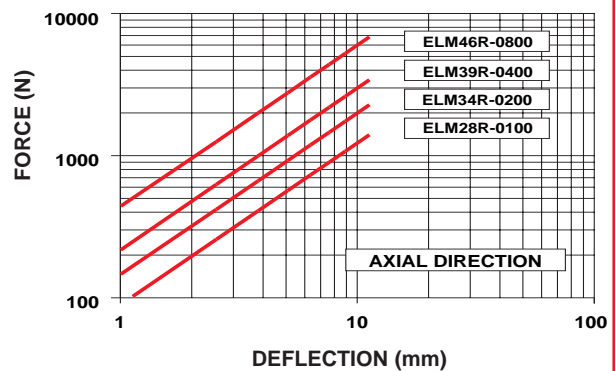
Mount Dimensions

| MOUNT PART NUMBER | A (mm) | B (mm) | C (mm) | D (mm) |
|-------------------|--------|--------|--------|------------|
| ELM28R-0100 | 59 | 58 | 127 | M10 x 1,5 |
| ELM34R-0200 | 73 | 58 | 127 | M10 x 1,5 |
| ELM39R-0400 | 84 | 63 | 152 | M12 x 1,75 |
| ELM46R-0800 | 104 | 63 | 152 | M12 x 1,75 |

LOAD VS. SYSTEM NATURAL FREQUENCY



LOAD VS. DEFLECTION



EST10N Stud Mount Series

Axial Load Range: 11 to 110 lbs

Radial Load Range: 1.5 to 22 lbs

Imperial
Data

all dimensions in
inches

Features & Benefits

- Prevents Damage to Sensitive Equipment
- Reduces Transmission of Structure Borne Noise
- Loading in the Axial or Radial Direction

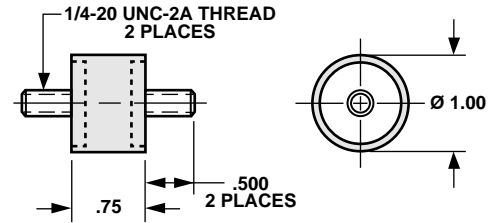
Material Information

- Elastomer: Neoprene
- Metals: Low Carbon Steel
Rust Preventative Coating
- Temperature Range: 0°F to 200°F

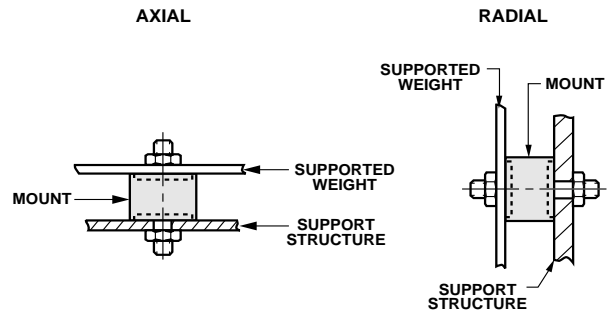
Typical Applications

- Appliances
- Business Machines
- Computers
- Relays

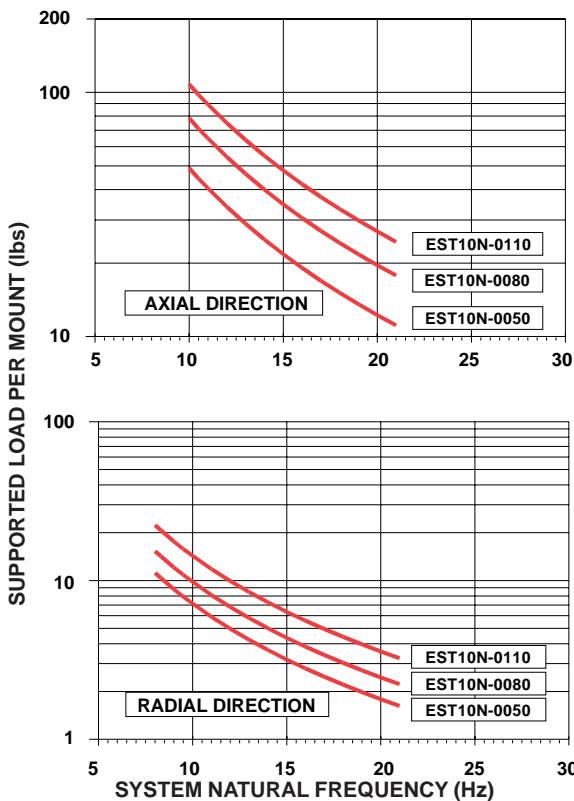
Mount Dimensions



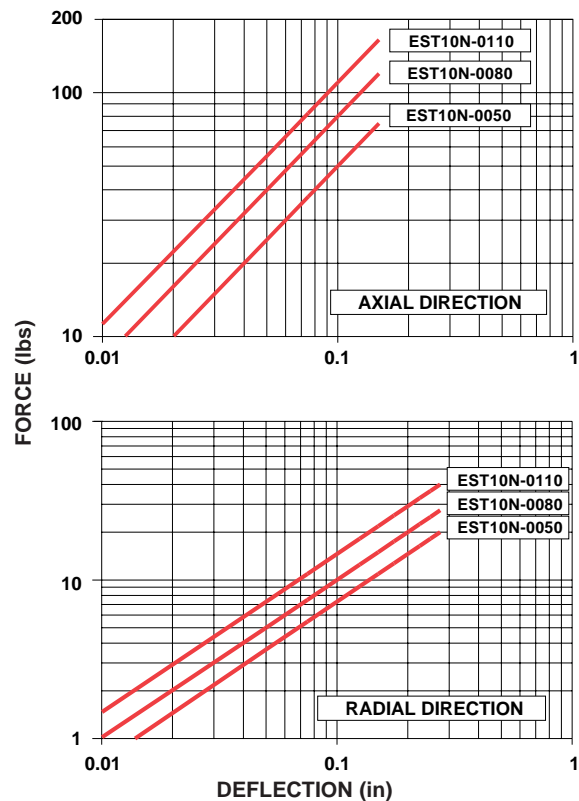
Mount Installation



LOAD VS. SYSTEM NATURAL FREQUENCY



LOAD VS. DEFLECTION



EST13N Stud Mount Series

Axial Load Range: 20 to 220 lbs

Radial Load Range: 3 to 40 lbs

all dimensions in
inches

Imperial
Data

Features & Benefits

- Prevents Damage to Sensitive Equipment
- Reduces Transmission of Structure Borne Noise
- Loading in the Axial or Radial Direction

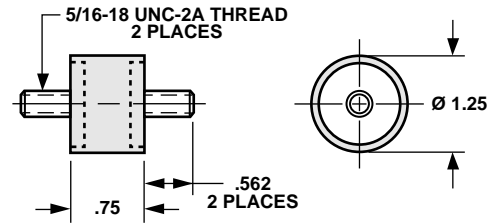
Material Information

- Elastomer: Neoprene
- Metals: Low Carbon Steel
Rust Preventative Coating
- Temperature Range: 0°F to 200°F

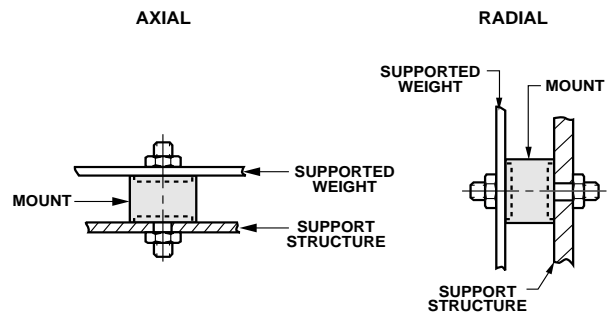
Typical Applications

- Appliances
- Business Machines
- Computers
- Relays

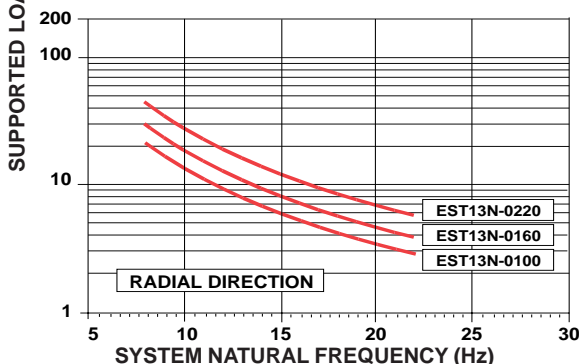
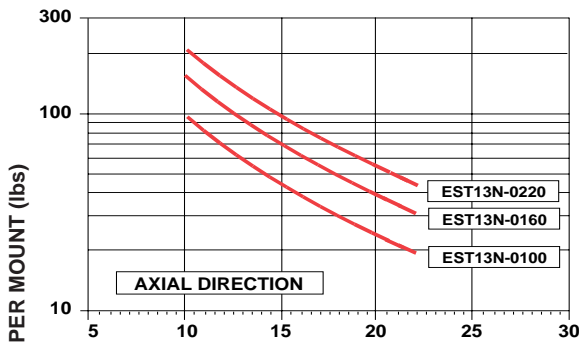
Mount Dimensions



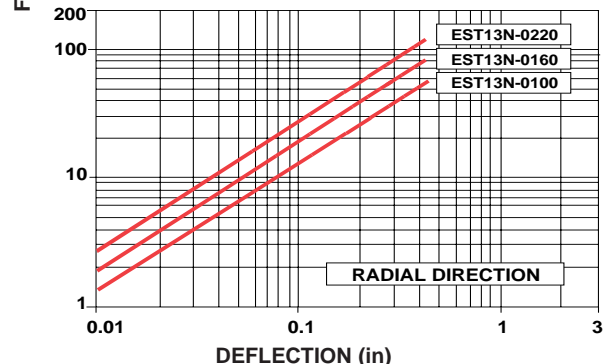
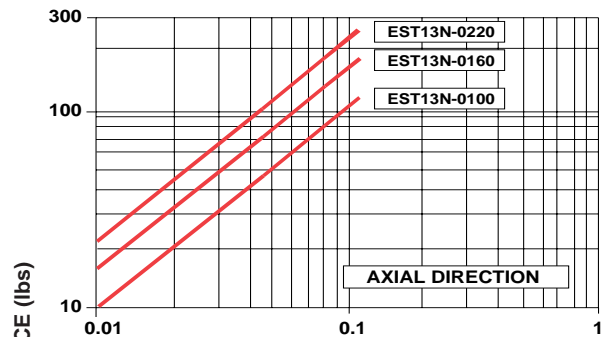
Mount Installation



LOAD VS. SYSTEM NATURAL FREQUENCY



LOAD VS. DEFLECTION



To place an order, call 1 800 826 2359

For technical assistance, email techsupport@corryrubber.com



EST14N Stud Mount Series

Axial Load Range: 20 to 185 lbs

Radial Load Range: 3 to 45 lbs

Imperial
Data

all dimensions in
inches

Features & Benefits

- Prevents Damage to Sensitive Equipment
- Reduces Transmission of Structure Borne Noise
- Loading in the Axial or Radial Direction

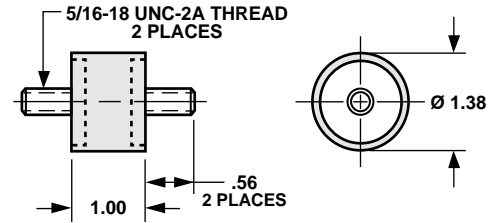
Material Information

- Elastomer: Neoprene
- Metals: Low Carbon Steel
Rust Preventative Coating
- Temperature Range: 0°F to 200°F

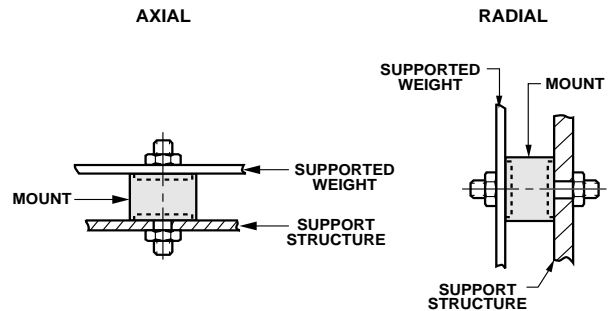
Typical Applications

- Appliances
- Business Machines
- Computers
- Relays

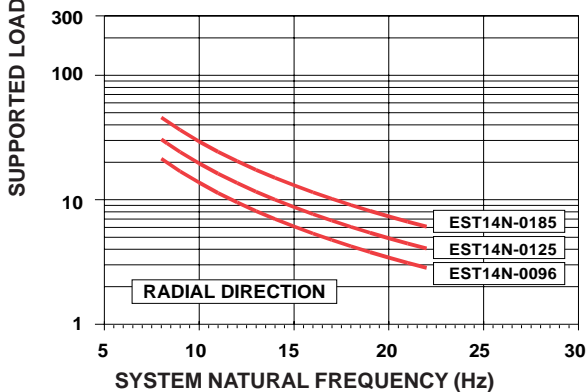
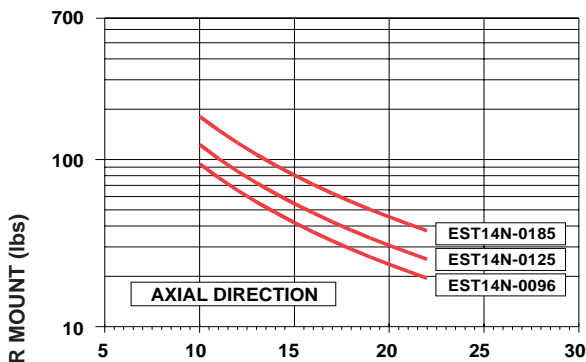
Mount Dimensions



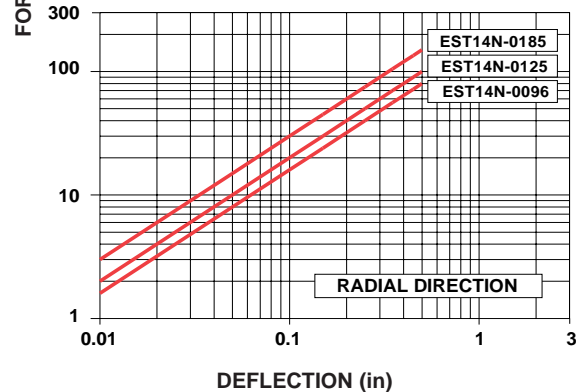
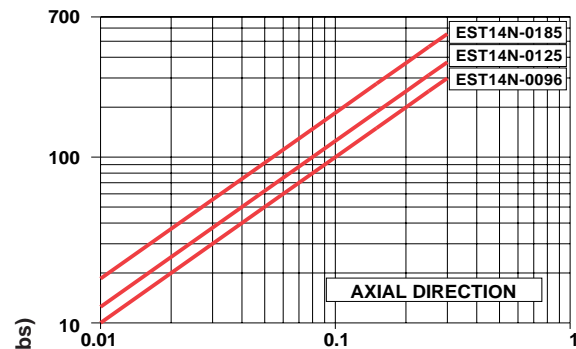
Mount Installation



LOAD VS. SYSTEM NATURAL FREQUENCY



LOAD VS. DEFLECTION



EST56N Stud Mount Series

Axial Load Range: 60 to 260 lbs

Radial Load Range: 6 to 40 lbs

all dimensions in
inches

Imperial
Data

Features & Benefits

- Prevents Damage to Sensitive Equipment
- Reduces Transmission of Structure Borne Noise
- Loading in the Axial or Radial Direction

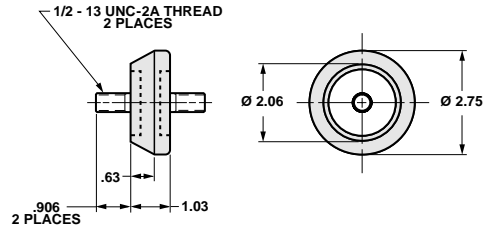
Material Information

- Elastomer: Neoprene
- Metals: Low Carbon Steel
Rust Preventative Coating
- Temperature Range: 0°F to 200°F

Typical Applications

- Appliances
- Business Machines
- Computers
- Relays

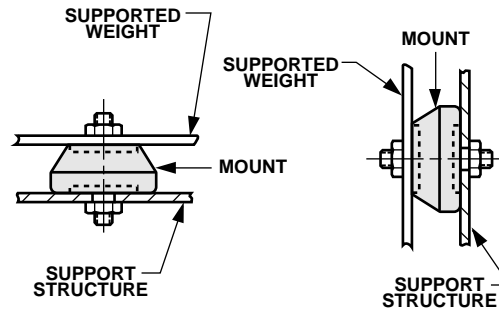
Mount Dimensions



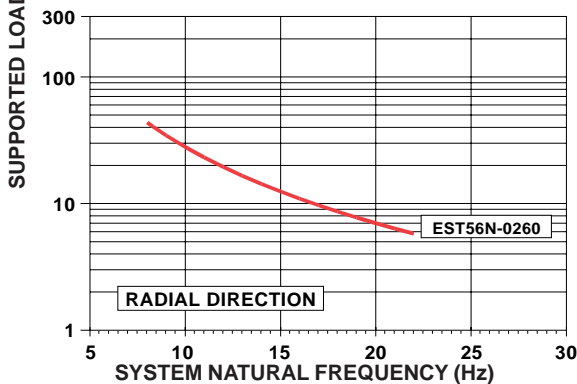
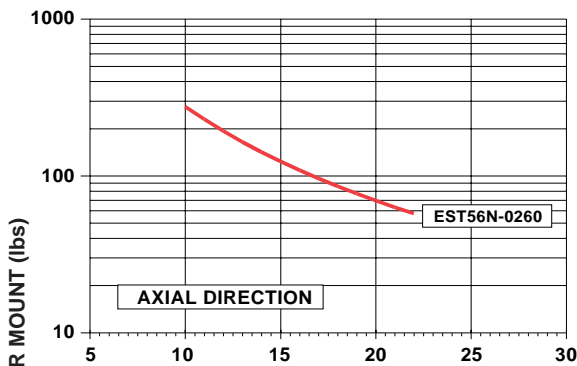
Mount Installation

AXIAL

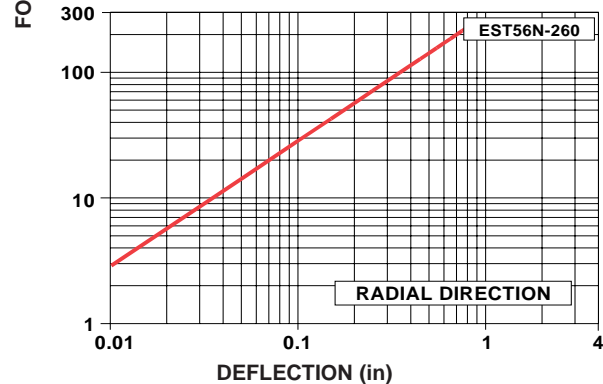
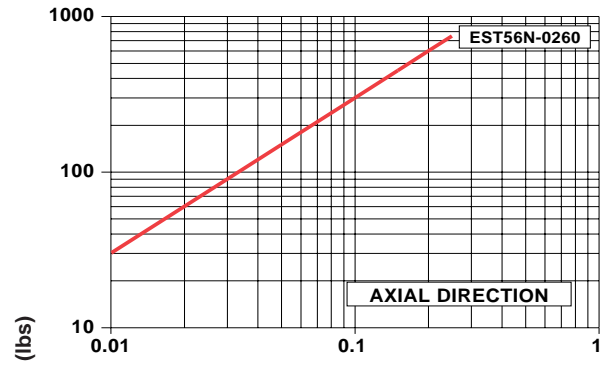
RADIAL



LOAD VS. SYSTEM NATURAL FREQUENCY



LOAD VS. DEFLECTION



To place an order, call 1 800 826 2359

For technical assistance, email techsupport@corryrubber.com



ERB13N Ring & Bushing Series

Axial Load Range: 15 to 300 lbs

Radial Load Range: 12 to 70 lbs

Imperial
Data

all dimensions in
inches

Features & Benefits

- Wide Load Range
- Excellent Rebound Protection
- Loading in the Axial or Radial Direction

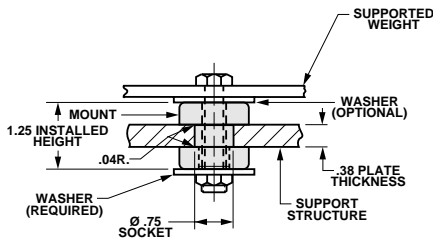
Material Information

- Elastomer: Neoprene
- Metals: Low Carbon Steel
Rust Preventative Coating
- Temperature Range: 0°F to 200°F

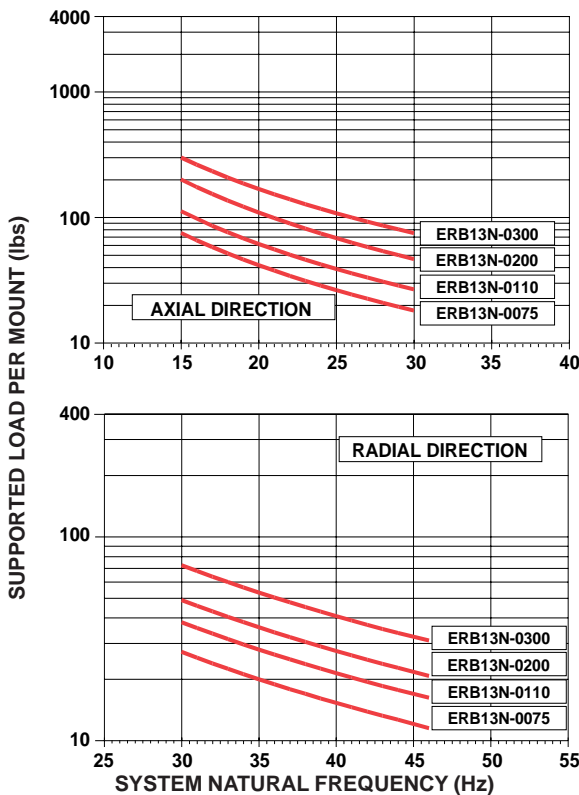
Typical Applications

- Construction Equipment
- Electric Motors
- Heavy Duty Applications
- HVAC Equipment
- Radiators and Tanks

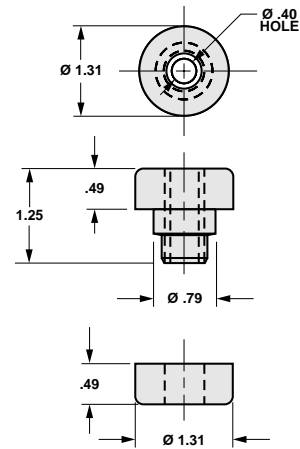
Mount Installation



LOAD VS. SYSTEM NATURAL FREQUENCY



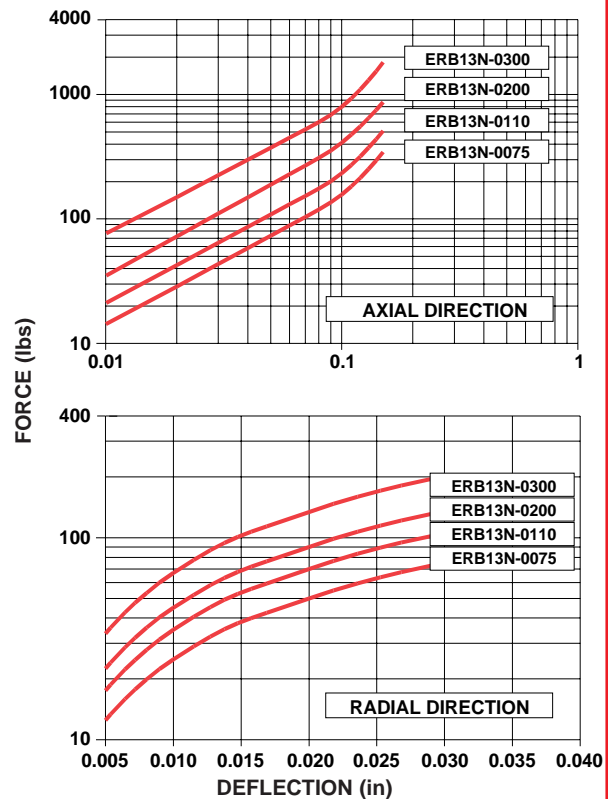
Mount Dimensions



Hardware Options

| NUMBER OF WASHERS | HARDWARE CODE | WASHER DIMENSIONS | | |
|-------------------|---------------|----------------------|-----------------------|----------------|
| | | INSIDE DIAMETER (in) | OUTSIDE DIAMETER (in) | THICKNESS (in) |
| 0 | 00 | .39 | 1.56 | .09 |
| 1 | 01 | | | |
| 2 | 02 | | | |

LOAD VS. DEFLECTION



ERB13N Ring & Bushing Series

Axial Load Range: 60 to 1300 N

Radial Load Range: 60 to 300 N

Metric
Data

all dimensions in
millimeters

Features & Benefits

- Wide Load Range
- Excellent Rebound Protection
- Loading in the Axial or Radial Direction

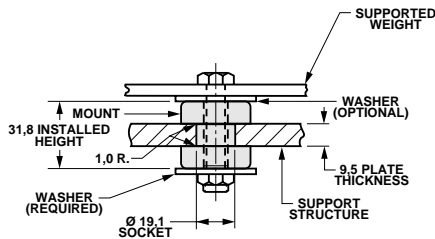
Material Information

- Elastomer: Neoprene
- Metals: Low Carbon Steel
Rust Preventative Coating
- Temperature Range: -20°C to 90°C

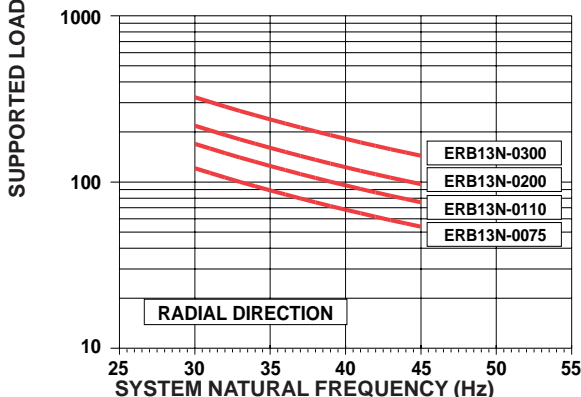
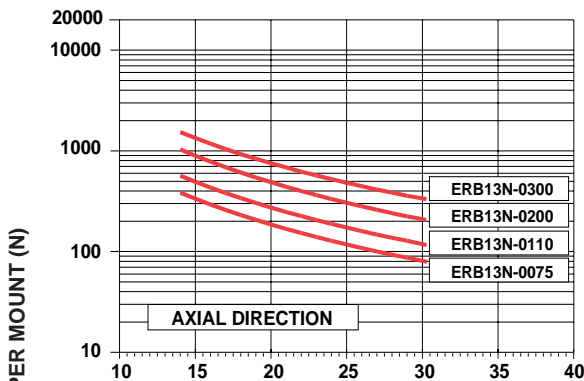
Typical Applications

- Construction Equipment
- Electric Motors
- Heavy Duty Applications
- HVAC Equipment
- Radiators and Tanks

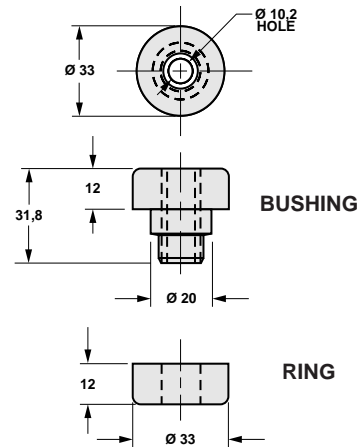
Mount Installation



LOAD VS. SYSTEM NATURAL FREQUENCY



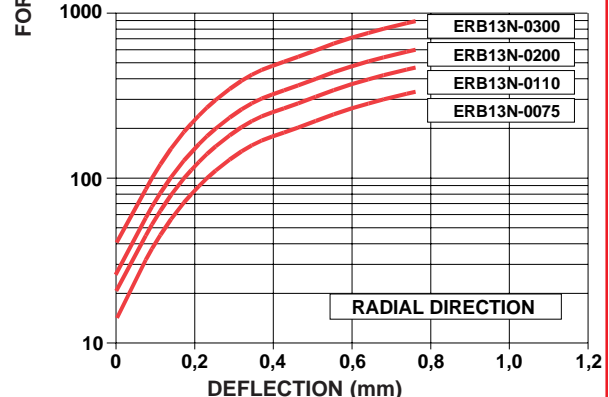
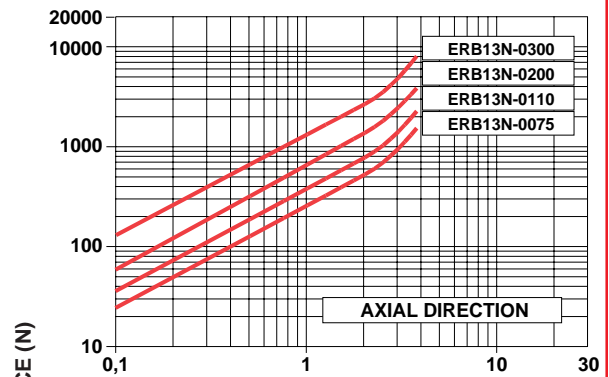
Mount Dimensions



Hardware Options

| NUMBER OF WASHERS | HARDWARE CODE | WASHER DIMENSIONS | | |
|-------------------|---------------|----------------------|-----------------------|----------------|
| | | INSIDE DIAMETER (mm) | OUTSIDE DIAMETER (mm) | THICKNESS (mm) |
| 0 | 00 | | | |
| 1 | 01 | | | |
| 2 | 02 | 10 | 40 | 2 |

LOAD VS. DEFLECTION



ERB19N Ring & Bushing Series

Axial Load Range: 15 to 300 lbs

Radial Load Range: 15 to 200 lbs

Imperial
Data

all dimensions in
inches

Features & Benefits

- Wide Load Range
- Excellent Rebound Protection
- Loading in the Axial or Radial Direction

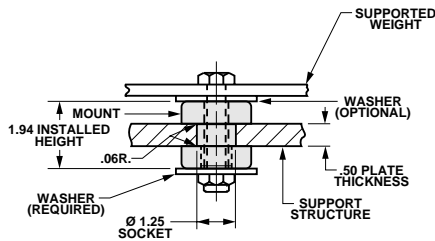
Material Information

- Elastomer: Neoprene
- Metals: Low Carbon Steel
Rust Preventative Coating
- Temperature Range: 0°F to 200°F

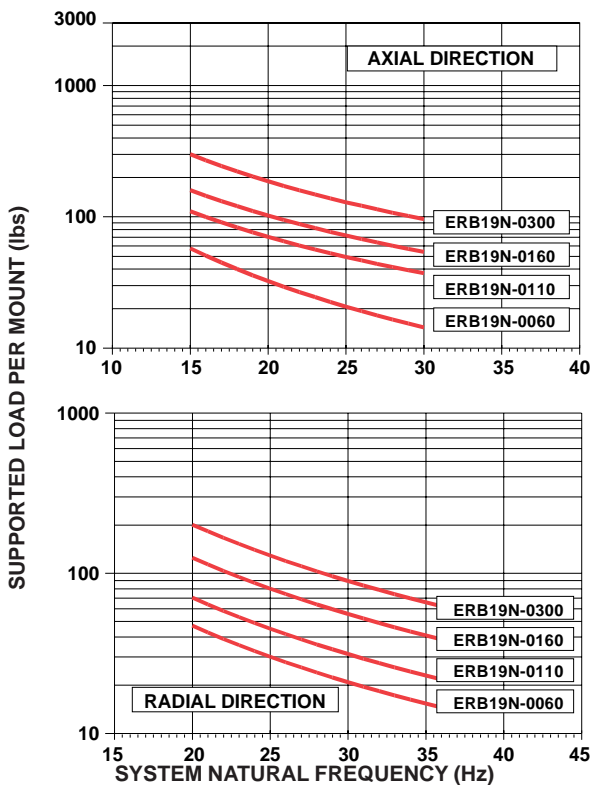
Typical Applications

- Construction Equipment
- Electric Motors
- Heavy Duty Applications
- HVAC Equipment
- Radiators and Tanks

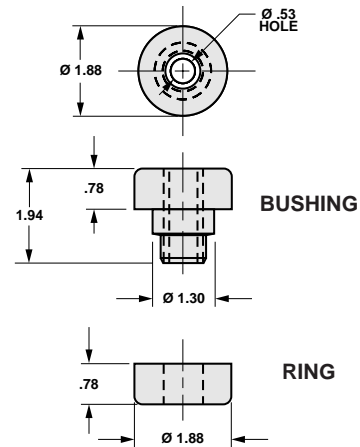
Mount Installation



LOAD VS. SYSTEM NATURAL FREQUENCY



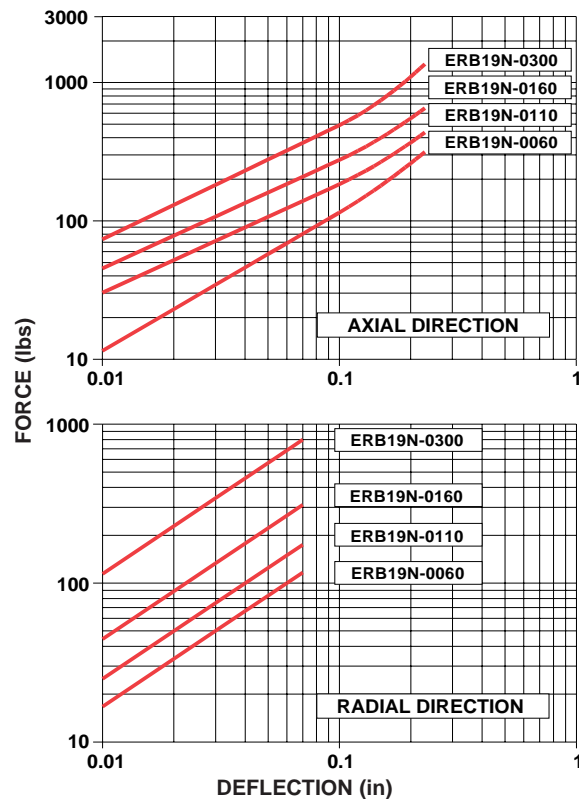
Mount Dimensions



Hardware Options

| NUMBER OF WASHERS | HARDWARE CODE | WASHER DIMENSIONS | | |
|-------------------|---------------|----------------------|-----------------------|----------------|
| | | INSIDE DIAMETER (in) | OUTSIDE DIAMETER (in) | THICKNESS (in) |
| 0 | 00 | | | |
| 1 | 01 | | | |
| 2 | 02 | .53 | 2.13 | .13 |

LOAD VS. DEFLECTION



ERB19N Ring & Bushing Series

Axial Load Range: 60 to 1300 N

Radial Load Range: 60 to 900 N

Metric
Data

all dimensions in
millimeters

Features & Benefits

- Wide Load Range
- Excellent Rebound Protection
- Loading in the Axial or Radial Direction

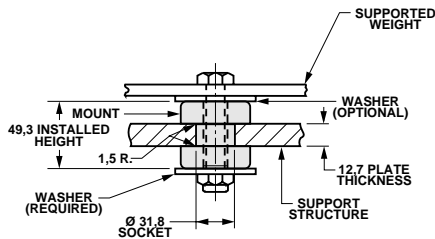
Material Information

- Elastomer: Neoprene
- Metals: Low Carbon Steel
Rust Preventative Coating
- Temperature Range: -20°C to 90°C

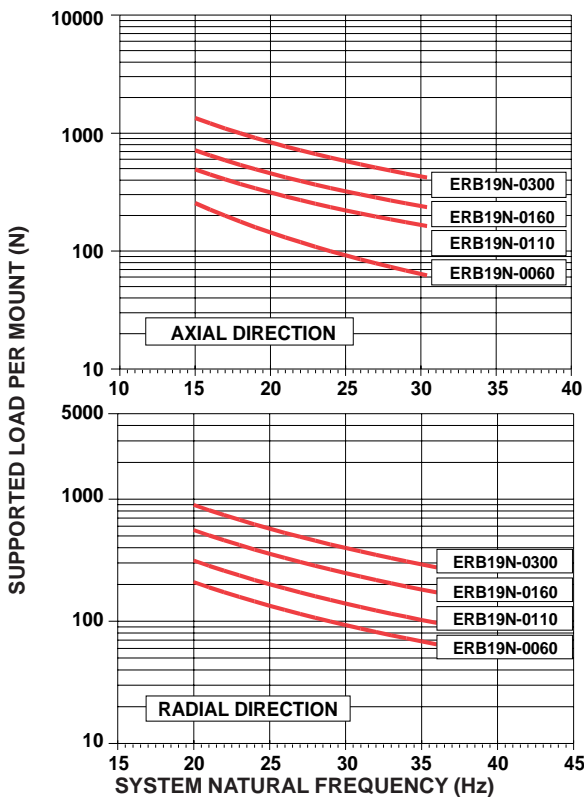
Typical Applications

- Construction Equipment
- Electric Motors
- Heavy Duty Applications
- HVAC Equipment
- Radiators and Tanks

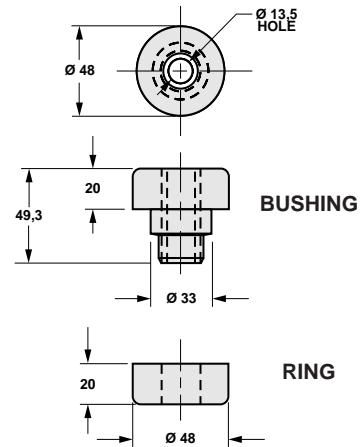
Mount Installation



LOAD VS. SYSTEM NATURAL FREQUENCY



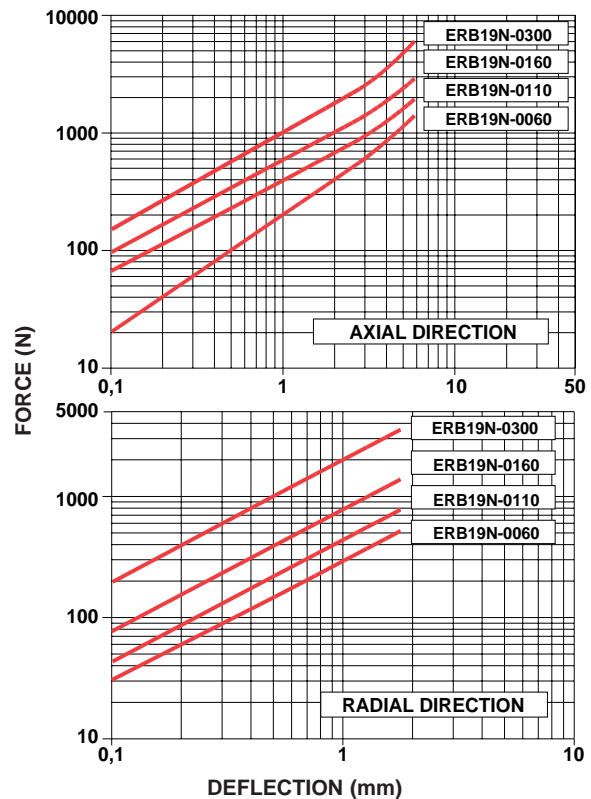
Mount Dimensions



Hardware Options

| NUMBER OF WASHERS | HARDWARE CODE | WASHER DIMENSIONS | | |
|-------------------|---------------|----------------------|-----------------------|----------------|
| | | INSIDE DIAMETER (mm) | OUTSIDE DIAMETER (mm) | THICKNESS (mm) |
| 0 | 00 | 13,5 | 54,1 | 3,4 |
| 1 | 01 | | | |
| 2 | 02 | | | |

LOAD VS. DEFLECTION



To place an order, call 1 800 826 2359

For technical assistance, email techsupport@corryrubber.com



ERB26N Ring & Bushing Series

Axial Load Range: 25 to 500 lbs

Radial Load Range: 20 to 300 lbs

Imperial
Data

all dimensions in
inches

Features & Benefits

- Wide Load Range
- Excellent Rebound Protection
- Loading in the Axial or Radial Direction

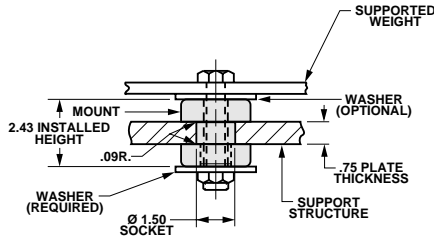
Material Information

- Elastomer: Neoprene
- Metals: Low Carbon Steel
Rust Preventative Coating
- Temperature Range: 0°F to 200°F

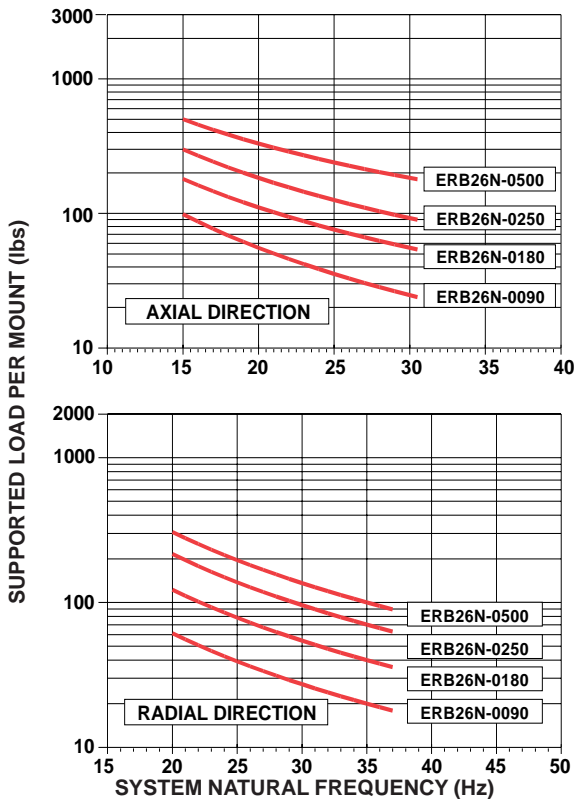
Typical Applications

- Construction Equipment
- Electric Motors
- Heavy Duty Applications
- HVAC Equipment
- Radiators and Tanks

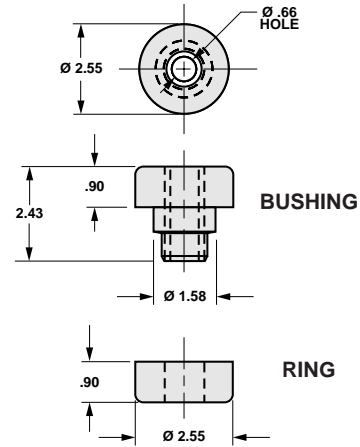
Mount Installation



LOAD VS. SYSTEM NATURAL FREQUENCY



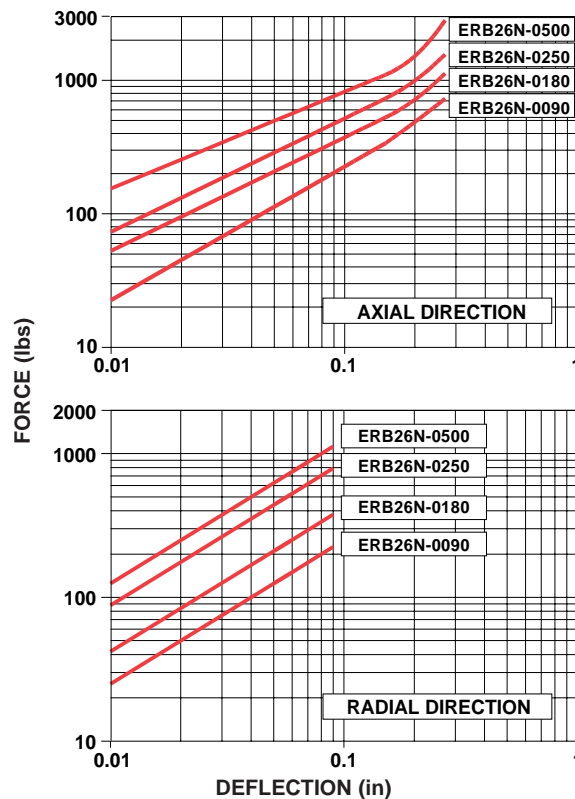
Mount Dimensions



Hardware Options

| NUMBER OF WASHERS | HARDWARE CODE | WASHER DIMENSIONS | | |
|-------------------|---------------|----------------------|-----------------------|----------------|
| | | INSIDE DIAMETER (in) | OUTSIDE DIAMETER (in) | THICKNESS (in) |
| 0 | 00 | .66 | 2.81 | .19 |
| 1 | 01 | | | |
| 2 | 02 | | | |

LOAD VS. DEFLECTION



ERB26N Ring & Bushing Series

Axial Load Range: 100 to 2200 N

Radial Load Range: 90 to 1300 N

Metric
Data

all dimensions in
millimeters

Features & Benefits

- Wide Load Range
- Excellent Rebound Protection
- Loading in the Axial or Radial Direction

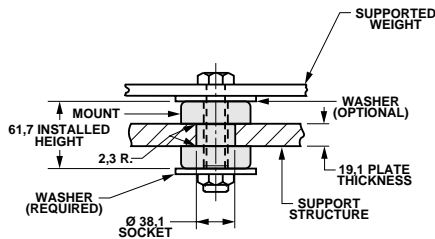
Material Information

- Elastomer: Neoprene
- Metals: Low Carbon Steel
Rust Preventative Coating
- Temperature Range: -20°C to 90°C

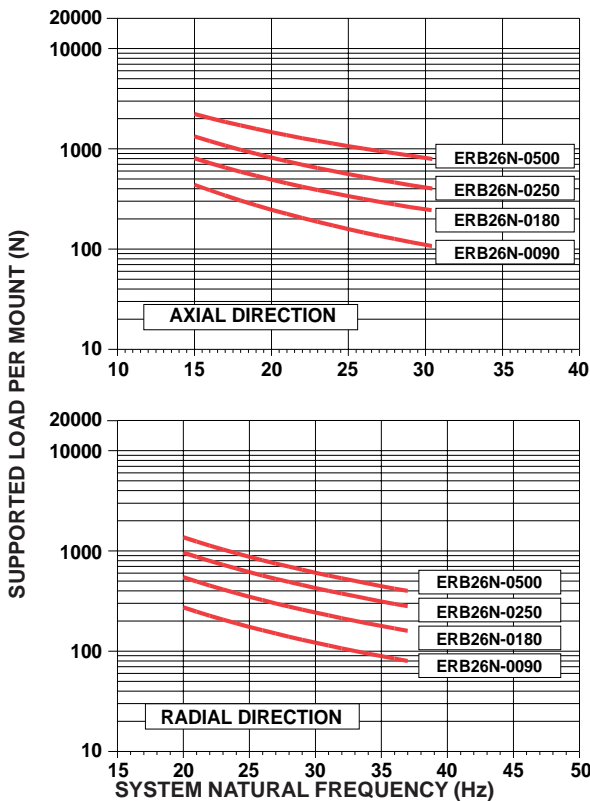
Typical Applications

- Construction Equipment
- Electric Motors
- Heavy Duty Applications
- HVAC Equipment
- Radiators and Tanks

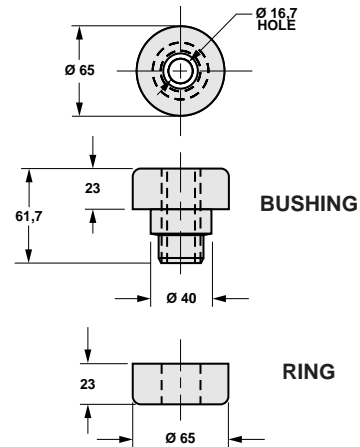
Mount Installation



LOAD VS. SYSTEM NATURAL FREQUENCY



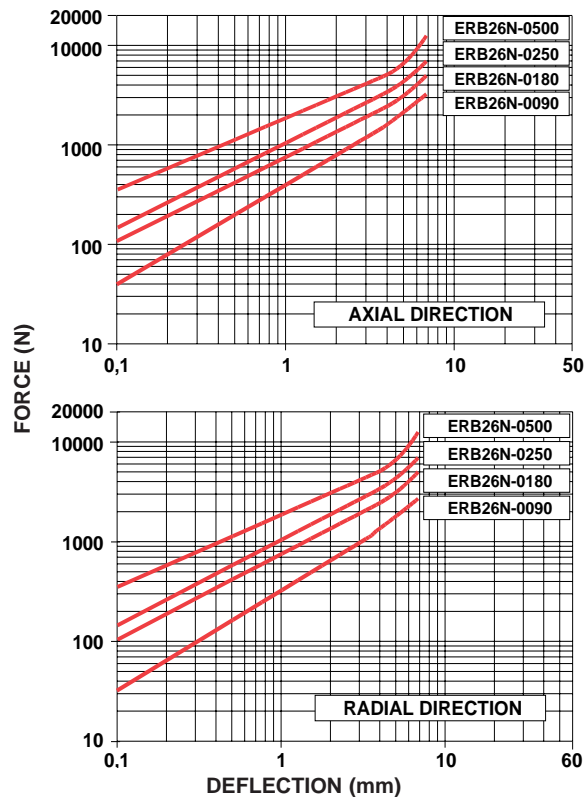
Mount Dimensions



Hardware Options

| NUMBER OF WASHERS | HARDWARE CODE | WASHER DIMENSIONS | | |
|-------------------|---------------|----------------------|-----------------------|----------------|
| | | INSIDE DIAMETER (mm) | OUTSIDE DIAMETER (mm) | THICKNESS (mm) |
| 0 | 00 | | | |
| 1 | 01 | | | |
| 2 | 02 | 17 | 71 | 5 |

LOAD VS. DEFLECTION



ERB35N Ring & Bushing Series

Axial Load Range: 30 to 600 lbs

Radial Load Range: 30 to 600 lbs

Imperial
Data

all dimensions in
inches

Features & Benefits

- Wide Load Range
- Excellent Rebound Protection
- Loading in the Axial or Radial Direction

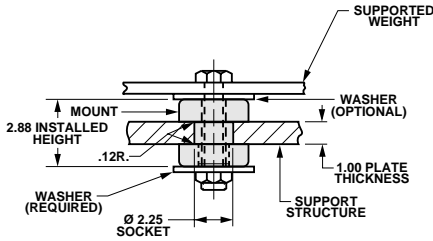
Material Information

- Elastomer: Neoprene
- Metals: Low Carbon Steel
Rust Preventative Coating
- Temperature Range: 0°F to 200°F

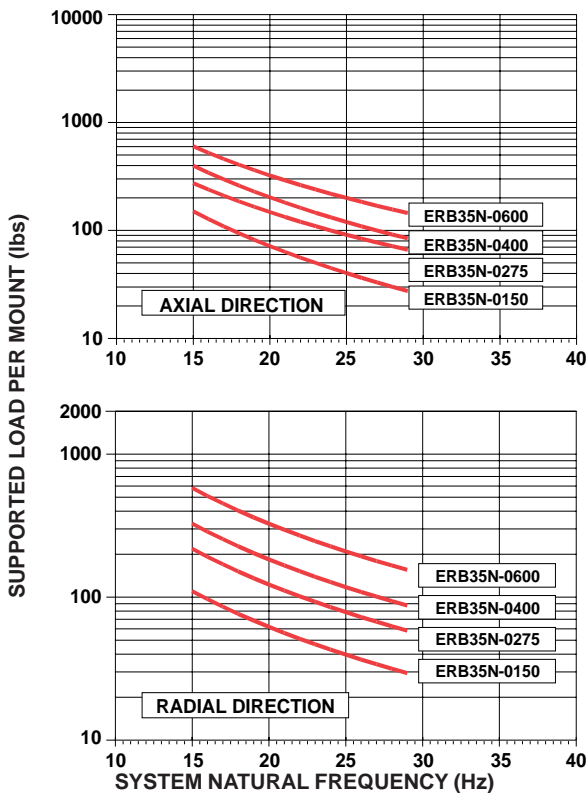
Typical Applications

- Construction Equipment
- Electric Motors
- Heavy Duty Applications
- HVAC Equipment
- Radiators and Tanks

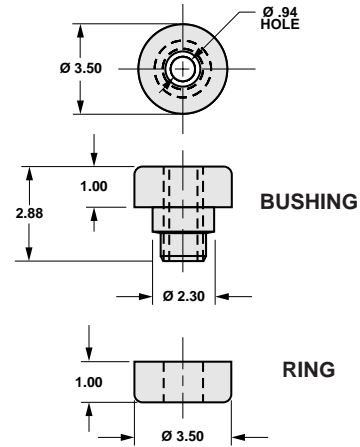
Mount Installation



LOAD VS. SYSTEM NATURAL FREQUENCY



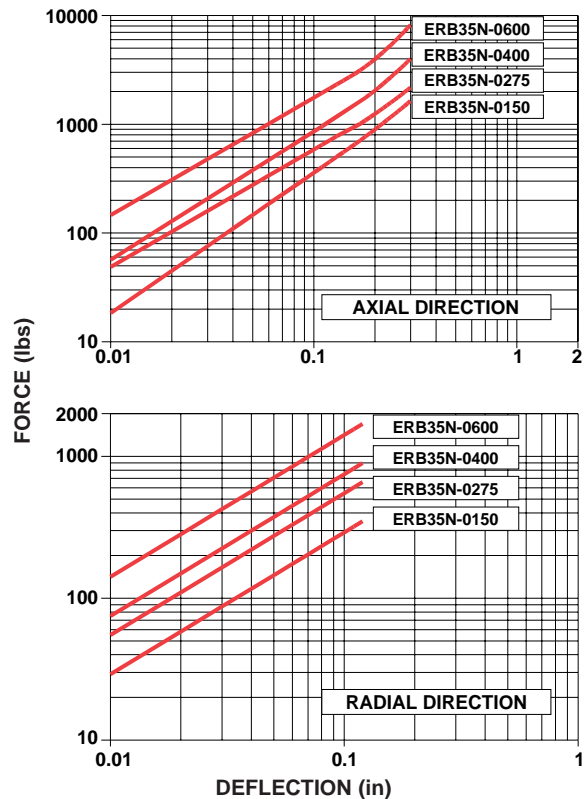
Mount Dimensions



Hardware Options

| NUMBER OF WASHERS | HARDWARE CODE | WASHER DIMENSIONS | | |
|-------------------|---------------|----------------------|-----------------------|----------------|
| | | INSIDE DIAMETER (in) | OUTSIDE DIAMETER (in) | THICKNESS (in) |
| 0 | 00 | | | |
| 1 | 01 | | | |
| 2 | 02 | .94 | 3.88 | .25 |

LOAD VS. DEFLECTION



ERB35N Ring & Bushing Series

Axial Load Range: 100 to 2700 N

Radial Load Range: 130 to 2700 N

Metric
Data

all dimensions in
millimeters

Features & Benefits

- Wide Load Range
- Excellent Rebound Protection
- Loading in the Axial or Radial Direction

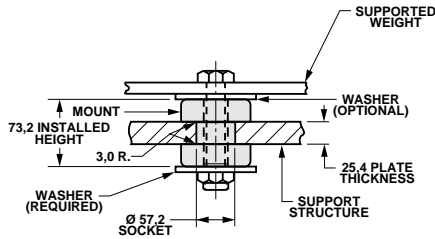
Material Information

- Elastomer: Neoprene
- Metals: Low Carbon Steel
Rust Preventative Coating
- Temperature Range: -20°C to 90°C

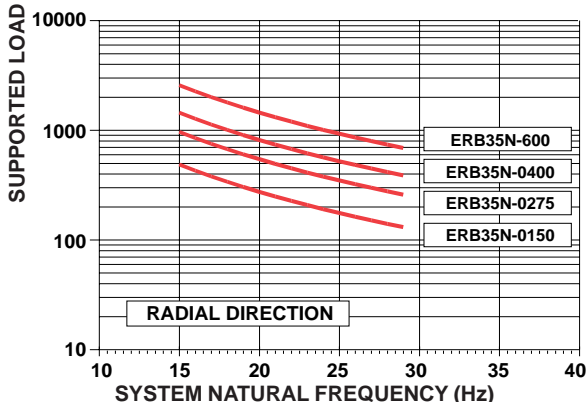
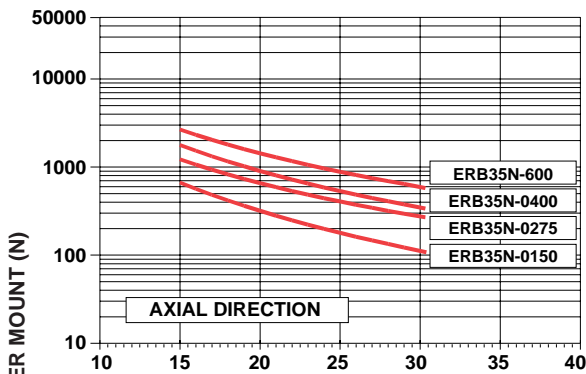
Typical Applications

- Construction Equipment
- Electric Motors
- Heavy Duty Applications
- HVAC Equipment
- Radiators and Tanks

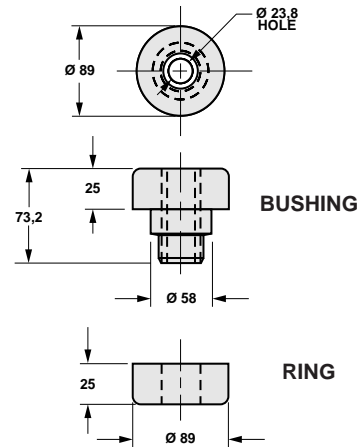
Mount Installation



LOAD VS. SYSTEM NATURAL FREQUENCY



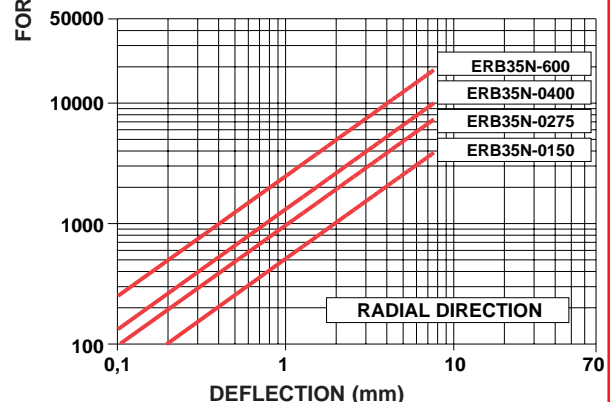
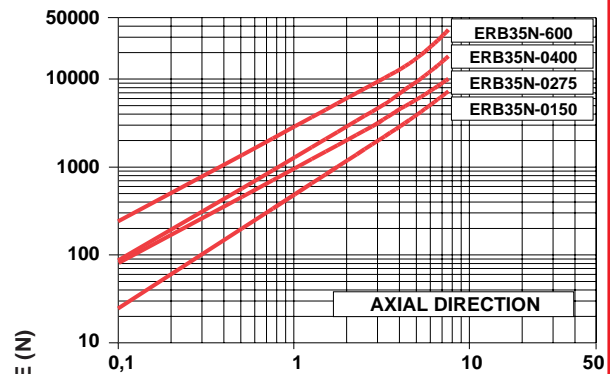
Mount Dimensions



Hardware Options

| NUMBER OF WASHERS | HARDWARE CODE | WASHER DIMENSIONS | | |
|-------------------|---------------|----------------------|-----------------------|----------------|
| | | INSIDE DIAMETER (mm) | OUTSIDE DIAMETER (mm) | THICKNESS (mm) |
| 0 | 00 | | | |
| 1 | 01 | | | |
| 2 | 02 | 24 | 99 | 6 |

LOAD VS. DEFLECTION



To place an order, call 1 800 826 2359

For technical assistance, email techsupport@corryrubber.com



ECB11R/18R Centerbound Mount Series

Imperial
Data

Axial Load Range: 20 to 175 lbs

Radial Load Range: 20 to 90 lbs

all dimensions in
inches

Features & Benefits

- Withstands High Shock Forces
- Long Life
- Loading in the Axial or Radial Direction

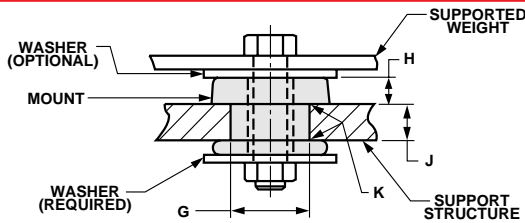
Material Information

- Elastomer: Natural Rubber
- Metals: Low Carbon Steel
Rust Preventative Coating
- Temperature Range: -40°F to 180°F

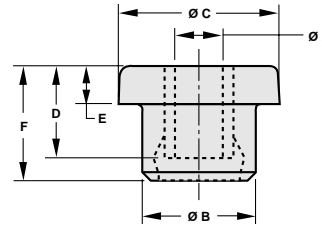
Typical Applications

- Bus Engine Mounts
- Marine Mounts
- Cab Mounts
- Structural Mounts

Mount Installation



Mount Dimensions

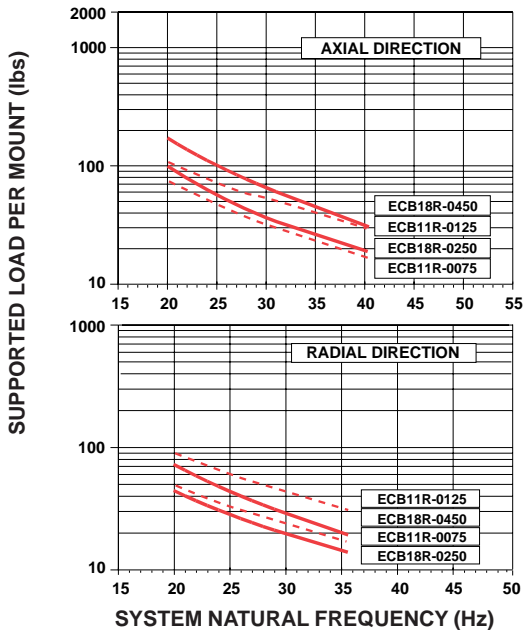


Hardware Options

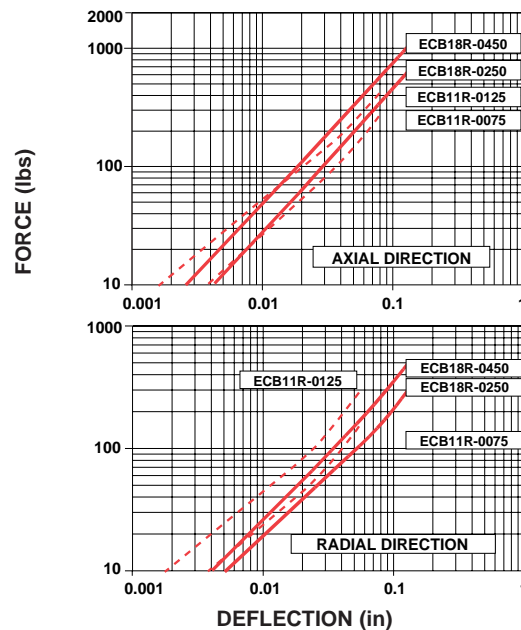
| NUMBER OF WASHERS | HARDWARE CODE |
|-------------------|---------------|
| 0 | 00 |
| 1 | 01 |
| 2 | 02 |

| MOUNT PART NUMBER | MOUNT DIMENSIONS | | | | | | INSTALLATION DIMENSIONS | | | | WASHER DIMENSIONS | | |
|-------------------|------------------|--------|--------|--------|--------|--------|-------------------------|-------------------------|------------------------|---------------|----------------------|-----------------------|----------------|
| | A (in) | B (in) | C (in) | D (in) | E (in) | F (in) | G SOCKET DIAMETER (in) | H INSTALLED HEIGHT (in) | J PLATE THICKNESS (in) | K RADIUS (in) | INSIDE DIAMETER (in) | OUTSIDE DIAMETER (in) | THICKNESS (in) |
| ECB11R | .40 | .81 | 1.09 | .62 | .22 | 1.00 | .75 | .21 | .31 | .06 | 0.40 | 1.25 | 0.12 |
| ECB18R | .53 | 1.24 | 1.75 | 1.00 | .41 | 1.25 | 1.12 | .38 | .38 | .06 | 0.52 | 2.00 | 0.12 |

LOAD VS. SYSTEM NATURAL FREQUENCY



LOAD VS. DEFLECTION



ECB11R/18R Centerbound Mount Series

Axial Load Range: 70 to 1500 N

Radial Load Range: 70 to 500 N

Metric
Data

all dimensions in
millimeters

Features & Benefits

- Withstands High Shock Forces
- Long Life
- Loading in the Axial or Radial Direction

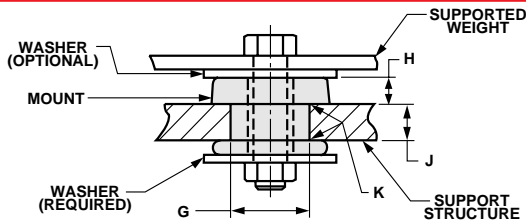
Material Information

- Elastomer: Natural Rubber
- Metals: Low Carbon Steel
Rust Preventative Coating
- Temperature Range: -40°C to 80°C

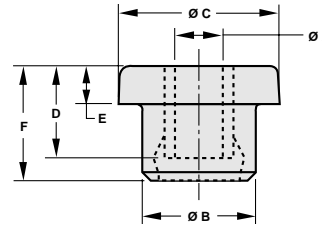
Typical Applications

- Bus Engine Mounts
- Marine Mounts
- Cab Mounts
- Structural Mounts

Mount Installation



Mount Dimensions

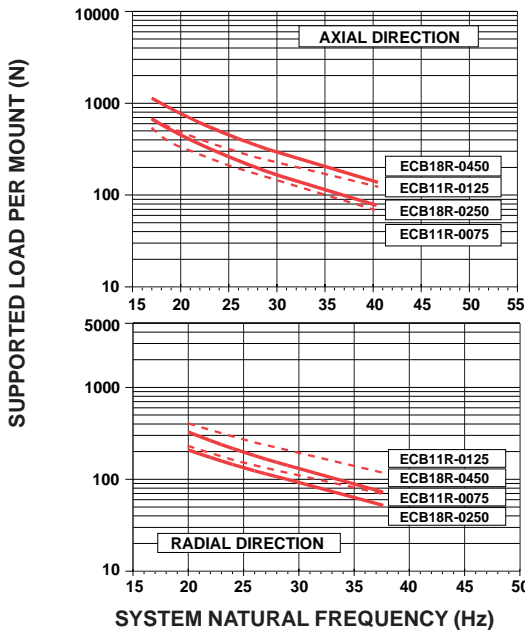


Hardware Options

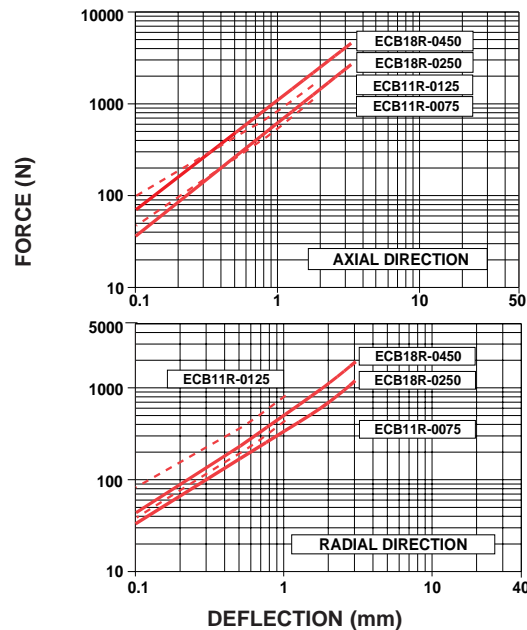
| NUMBER OF WASHERS | HARDWARE CODE |
|-------------------|---------------|
| 0 | 00 |
| 1 | 01 |
| 2 | 02 |

| MOUNT PART NUMBER | MOUNT DIMENSIONS | | | | | | INSTALLATION DIMENSIONS | | | | WASHER DIMENSIONS | | |
|-------------------|------------------|--------|--------|--------|--------|--------|-------------------------|-------------------------|------------------------|---------------|----------------------|-----------------------|----------------|
| | A (mm) | B (mm) | C (mm) | D (mm) | E (mm) | F (mm) | G SOCKET DIAMETER (mm) | H INSTALLED HEIGHT (mm) | J PLATE THICKNESS (mm) | K RADIUS (mm) | INSIDE DIAMETER (mm) | OUTSIDE DIAMETER (mm) | THICKNESS (mm) |
| ECB11R | 10,2 | 21 | 28 | 15,9 | 6 | 25 | 19 | 5 | 8 | 1,5 | 10,2 | 32 | 3,2 |
| ECB18R | 13,5 | 31 | 44 | 25,4 | 10 | 32 | 28 | 10 | 10 | 1,5 | 13,2 | 50 | 3,2 |

LOAD VS. SYSTEM NATURAL FREQUENCY



LOAD VS. DEFLECTION



ECB20R/25R Centerbound Mount Series

Axial Load Range: 50 to 600 lbs

Radial Load Range: 75 to 325 lbs

Imperial
Data

all dimensions in
inches

Features & Benefits

- Withstands High Shock Forces
- Long Life
- Loading in the Axial or Radial Direction

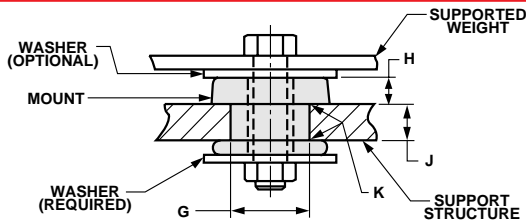
Material Information

- Elastomer: Natural Rubber
- Metals: Low Carbon Steel
Rust Preventative Coating
- Temperature Range: -40°F to 180°F

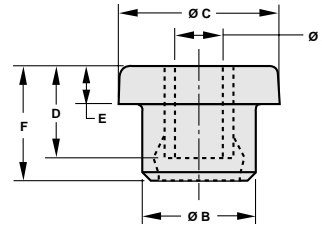
Typical Applications

- Bus Engine Mounts
- Marine Mounts
- Cab Mounts
- Structural Mounts

Mount Installation



Mount Dimensions

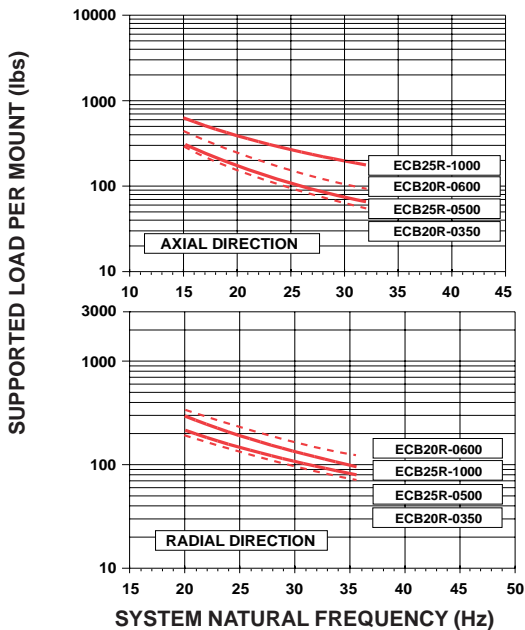


Hardware Options

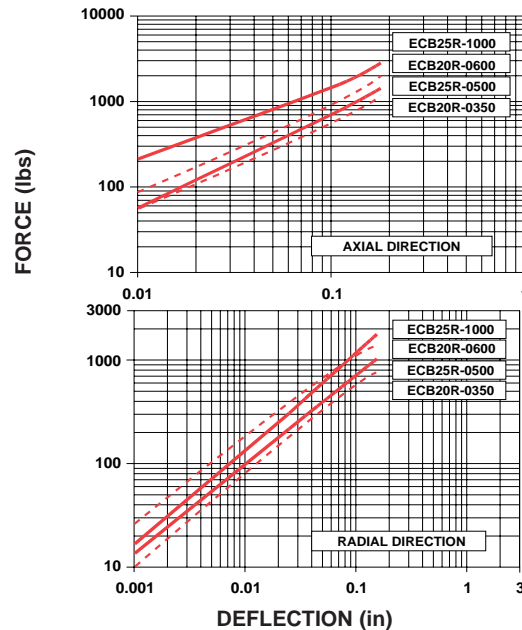
| NUMBER OF WASHERS | HARDWARE CODE |
|-------------------|---------------|
| 0 | 00 |
| 1 | 01 |
| 2 | 02 |

| MOUNT PART NUMBER | MOUNT DIMENSIONS | | | | | | INSTALLATION DIMENSIONS | | | | WASHER DIMENSIONS | | |
|-------------------|------------------|--------|--------|--------|--------|--------|-------------------------|-------------------------|------------------------|---------------|----------------------|-----------------------|----------------|
| | A (in) | B (in) | C (in) | D (in) | E (in) | F (in) | G SOCKET DIAMETER (in) | H INSTALLED HEIGHT (in) | J PLATE THICKNESS (in) | K RADIUS (in) | INSIDE DIAMETER (in) | OUTSIDE DIAMETER (in) | THICKNESS (in) |
| ECB20R | .53 | 1.35 | 2.00 | 1.31 | .53 | 1.62 | 1.25 | .45 | .62 | .06 | 0.52 | 2.25 | 0.12 |
| ECB25R | .69 | 1.62 | 2.50 | 1.69 | .62 | 2.00 | 1.50 | .56 | .75 | .06 | 0.66 | 2.88 | 0.12 |

LOAD VS. SYSTEM NATURAL FREQUENCY



LOAD VS. DEFLECTION



ECB20R/25R Centerbound Mount Series

Axial Load Range: 275 to 2700 N

Radial Load Range: 300 to 1500 N

Metric
Data

all dimensions in
millimeters

Features & Benefits

- Withstands High Shock Forces
- Long Life
- Loading in the Axial or Radial Direction

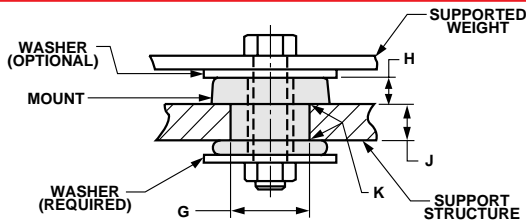
Material Information

- Elastomer: Natural Rubber
- Metals: Low Carbon Steel
Rust Preventative Coating
- Temperature Range: -40°C to 80°C

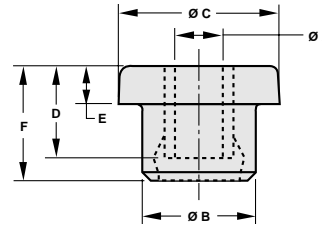
Typical Applications

- Bus Engine Mounts
- Marine Mounts
- Cab Mounts
- Structural Mounts

Mount Installation



Mount Dimensions

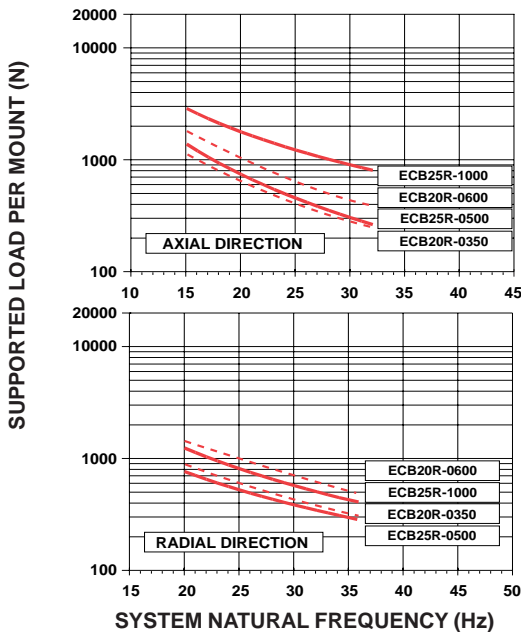


Hardware Options

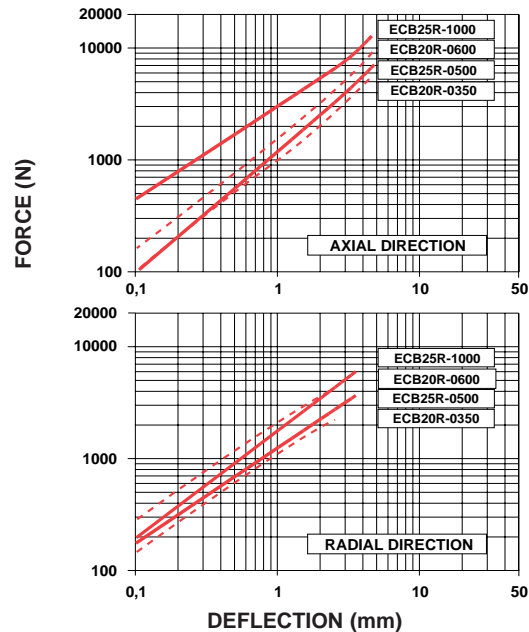
| NUMBER OF WASHERS | HARDWARE CODE |
|-------------------|---------------|
| 0 | 00 |
| 1 | 01 |
| 2 | 02 |

| MOUNT PART NUMBER | MOUNT DIMENSIONS | | | | | | INSTALLATION DIMENSIONS | | | | WASHER DIMENSIONS | | |
|-------------------|------------------|--------|--------|--------|--------|--------|-------------------------|-------------------------|------------------------|---------------|----------------------|-----------------------|----------------|
| | A (mm) | B (mm) | C (mm) | D (mm) | E (mm) | F (mm) | G SOCKET DIAMETER (mm) | H INSTALLED HEIGHT (mm) | J PLATE THICKNESS (mm) | K RADIUS (mm) | INSIDE DIAMETER (mm) | OUTSIDE DIAMETER (mm) | THICKNESS (mm) |
| ECB20R | 13,5 | 34 | 51 | 33,2 | 13 | 41 | 32 | 11 | 16 | 1,5 | 13,2 | 57 | 3,2 |
| ECB25R | 17,4 | 41 | 64 | 42,9 | 16 | 51 | 38 | 14 | 19 | 1,5 | 16,8 | 73 | 3,2 |

LOAD VS. SYSTEM NATURAL FREQUENCY



LOAD VS. DEFLECTION



To place an order, call 1 800 826 2359

For technical assistance, email techsupport@corryrubber.com



ECB30R/37R Centerbound Mount Series

Axial Load Range: 110 to 1500 lbs

Radial Load Range: 60 to 800 lbs

Imperial
Data

all dimensions in
inches

Features & Benefits

- Withstands High Shock Forces
- Long Life
- Loading in the Axial or Radial Direction

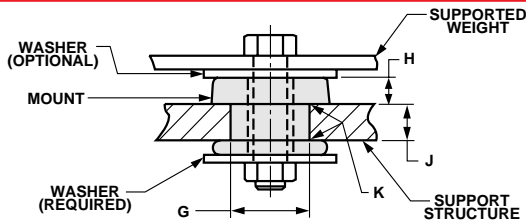
Material Information

- Elastomer: Natural Rubber
- Metals: Low Carbon Steel
Rust Preventative Coating
- Temperature Range: -40°F to 180°F

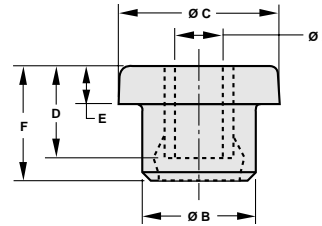
Typical Applications

- Bus Engine Mounts
- Marine Mounts
- Cab Mounts
- Structural Mounts

Mount Installation



Mount Dimensions

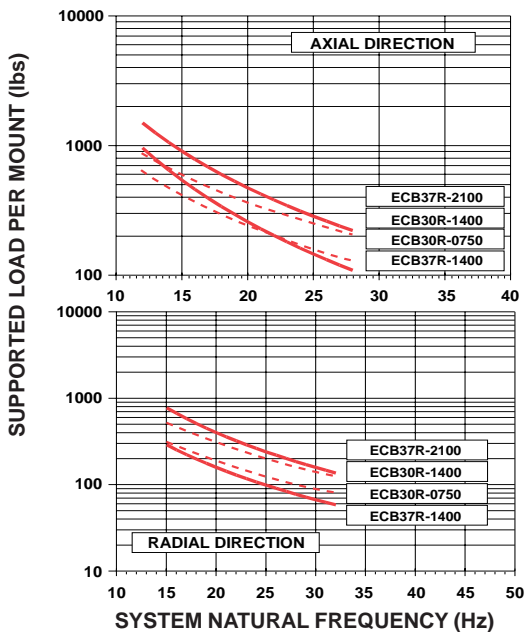


Hardware Options

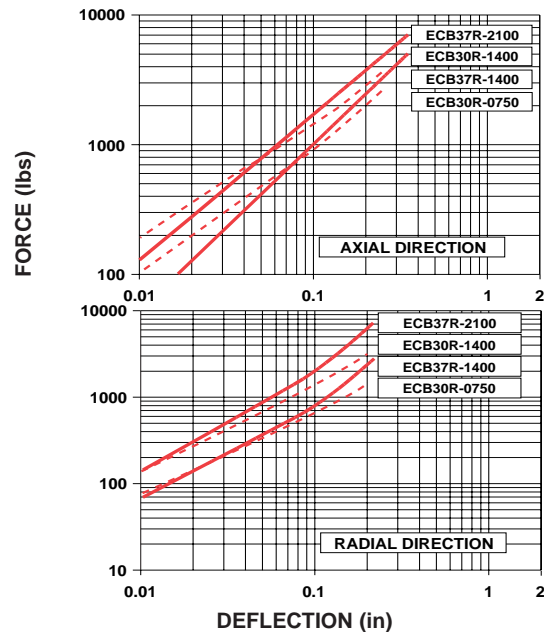
| NUMBER OF WASHERS | HARDWARE CODE |
|-------------------|---------------|
| 0 | 00 |
| 1 | 01 |
| 2 | 02 |

| MOUNT PART NUMBER | MOUNT DIMENSIONS | | | | | | INSTALLATION DIMENSIONS | | | | WASHER DIMENSIONS | | |
|-------------------|------------------|--------|--------|--------|--------|--------|-------------------------|-------------------------|------------------------|---------------|----------------------|-----------------------|----------------|
| | A (in) | B (in) | C (in) | D (in) | E (in) | F (in) | G SOCKET DIAMETER (in) | H INSTALLED HEIGHT (in) | J PLATE THICKNESS (in) | K RADIUS (in) | INSIDE DIAMETER (in) | OUTSIDE DIAMETER (in) | THICKNESS (in) |
| ECB30R | .69 | 1.98 | 2.98 | 2.00 | .81 | 2.22 | 1.81 | .71 | .93 | .06 | .64 | 3.50 | .19 |
| ECB37R | .81 | 2.23 | 3.74 | 2.00 | 1.00 | 2.48 | 2.00 | .94 | .75 | .12 | .80 | 4.25 | .19 |

LOAD VS. SYSTEM NATURAL FREQUENCY



LOAD VS. DEFLECTION



ECB30R/37R Centerbound Mount Series

Axial Load Range: 500 to 6700 N

Radial Load Range: 250 to 3200 N

Metric
Data

all dimensions in
millimeters

Features & Benefits

- Withstands High Shock Forces
- Long Life
- Loading in the Axial or Radial Direction

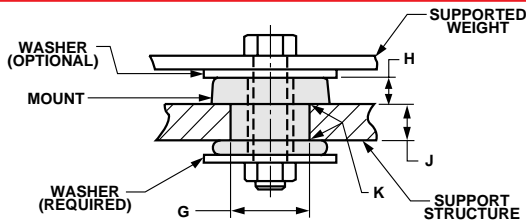
Material Information

- Elastomer: Natural Rubber
- Metals: Low Carbon Steel
Rust Preventative Coating
- Temperature Range: -40°C to 80°C

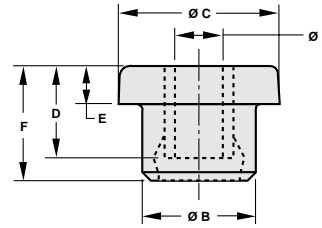
Typical Applications

- Bus Engine Mounts
- Marine Mounts
- Cab Mounts
- Structural Mounts

Mount Installation



Mount Dimensions

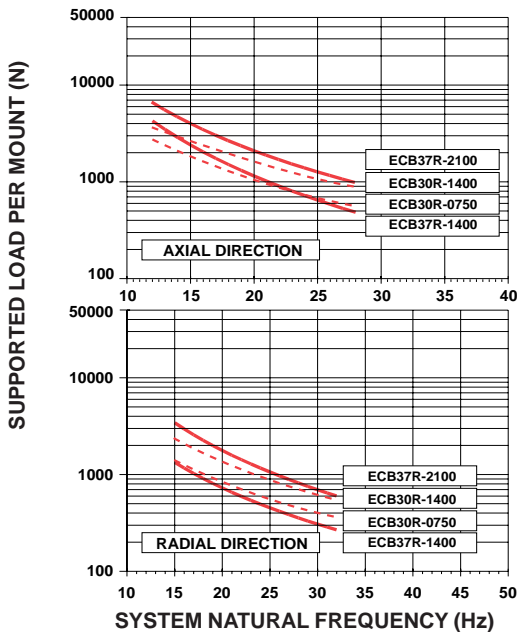


Hardware Options

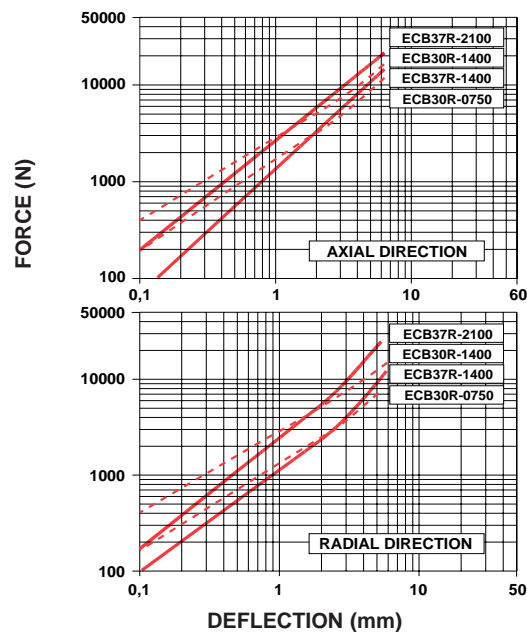
| NUMBER OF WASHERS | HARDWARE CODE |
|-------------------|---------------|
| 0 | 00 |
| 1 | 01 |
| 2 | 02 |

| MOUNT PART NUMBER | MOUNT DIMENSIONS | | | | | | INSTALLATION DIMENSIONS | | | | WASHER DIMENSIONS | | |
|-------------------|------------------|--------|--------|--------|--------|--------|-------------------------|-------------------------|------------------------|---------------|----------------------|-----------------------|----------------|
| | A (mm) | B (mm) | C (mm) | D (mm) | E (mm) | F (mm) | G SOCKET DIAMETER (mm) | H INSTALLED HEIGHT (mm) | J PLATE THICKNESS (mm) | K RADIUS (mm) | INSIDE DIAMETER (mm) | OUTSIDE DIAMETER (mm) | THICKNESS (mm) |
| ECB30R | 17,4 | 50 | 76 | 50,8 | 21 | 56 | 46 | 18 | 23 | 1,5 | 16,2 | 89 | 4,8 |
| ECB37R | 20,6 | 57 | 95 | 50,8 | 25,4 | 63 | 51 | 24 | 19 | 3 | 20,3 | 108 | 4,8 |

LOAD VS. SYSTEM NATURAL FREQUENCY



LOAD VS. DEFLECTION



To place an order, call 1 800 826 2359

For technical assistance, email techsupport@corryrubber.com



CORRY RUBBER CORPORATION

601 West Main Street
Corry, Pennsylvania 16407 • USA
Phone: 1 814 664 2313
Fax: 1 814 665 9155
Technical Hot Line: 1 800 826 2359

